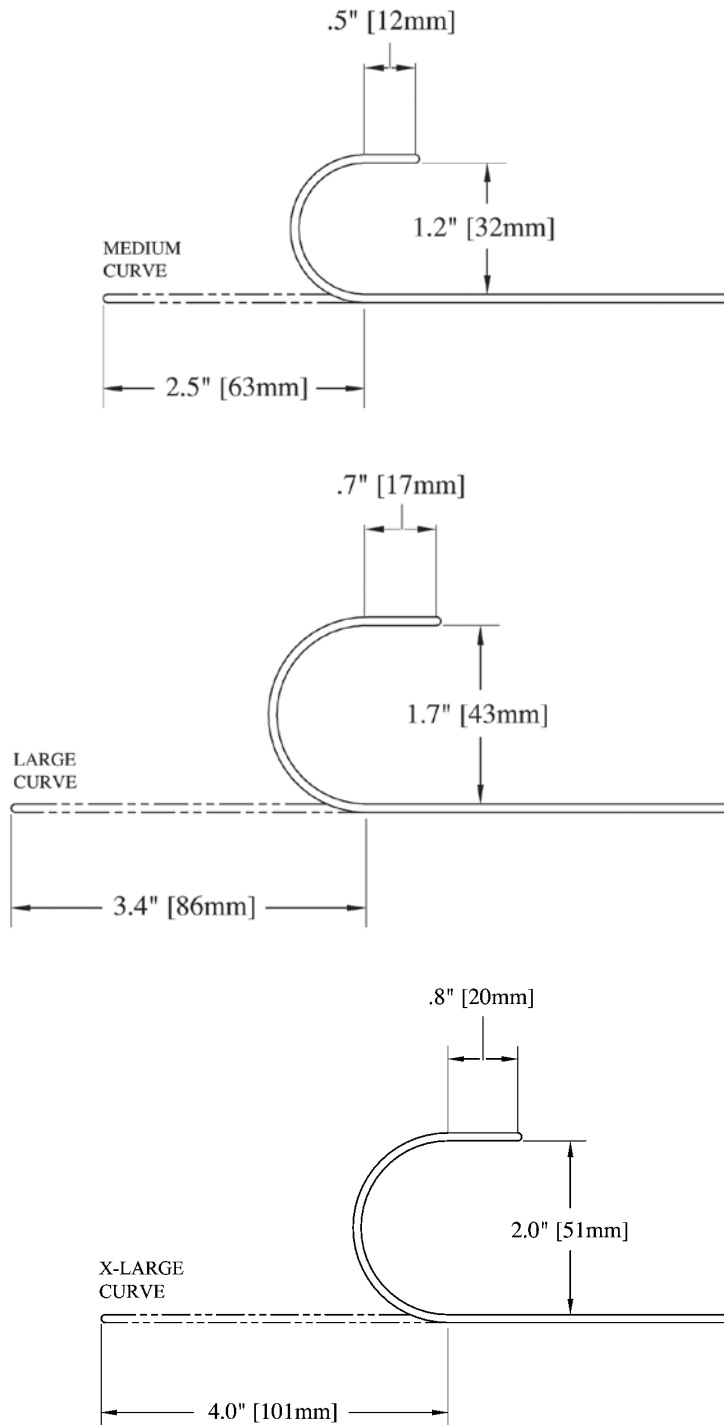


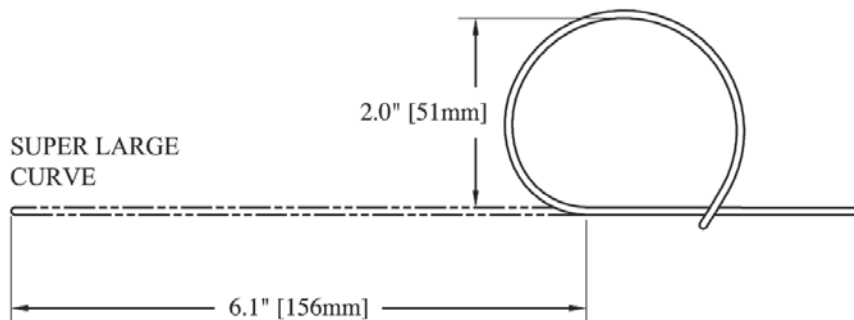
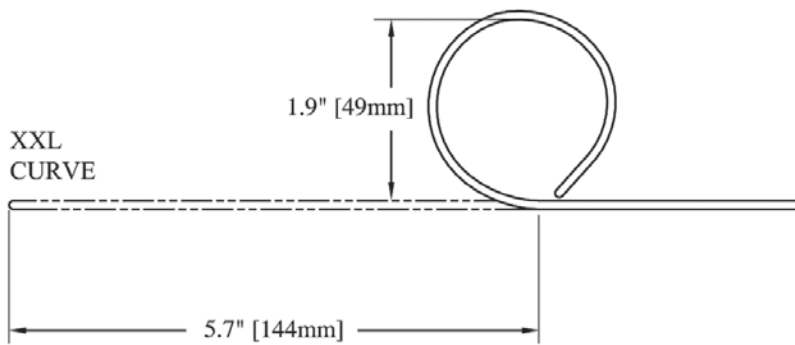
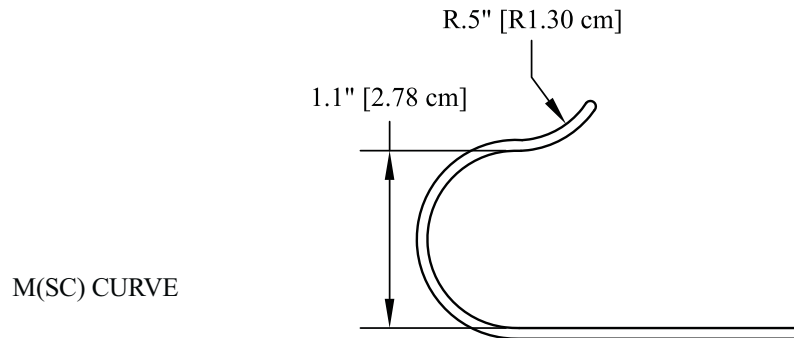
Inquiry™ Catheter Curve Reference

- Electrode spacing is measured edge to edge and reported in millimeters (mm)
- Standard catheter length is 110 cm



Inquiry™ Catheter Curve Reference

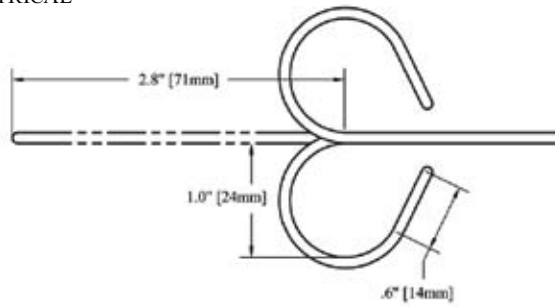
- Electrode spacing is measured edge to edge and reported in millimeters (mm)
- Some products may be limited to specific regions of distribution
- Standard catheter length is 110 cm



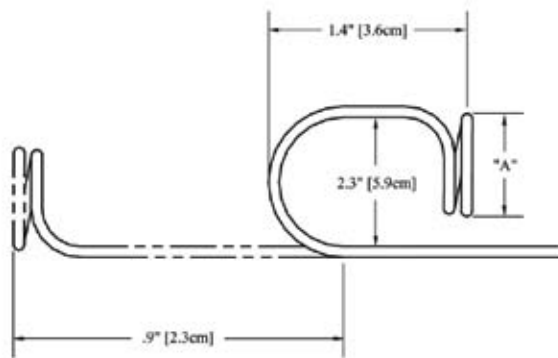
Inquiry™ Catheter Curve Reference

- Electrode spacing is measured edge to edge and reported in millimeters (mm)
- Standard catheter length is 110 cm

MEDIUM CURVE
BI-DIRECTIONAL SYMMETRICAL

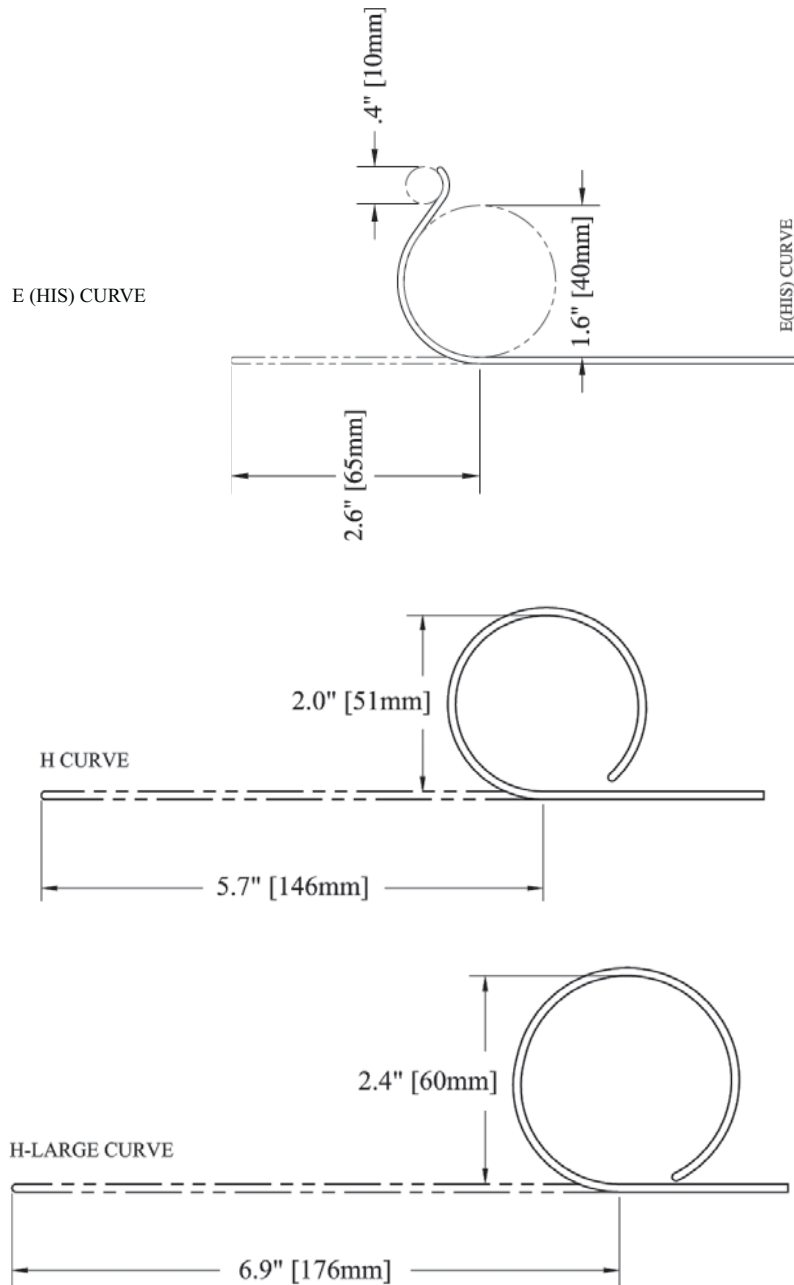


S/M



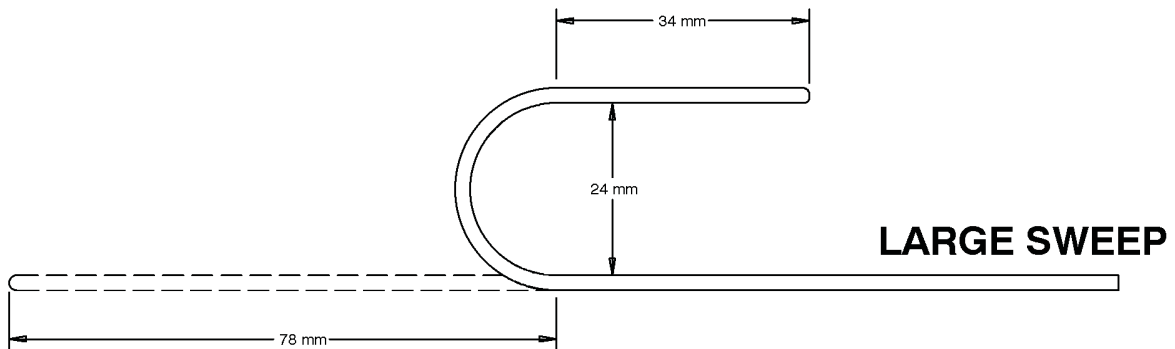
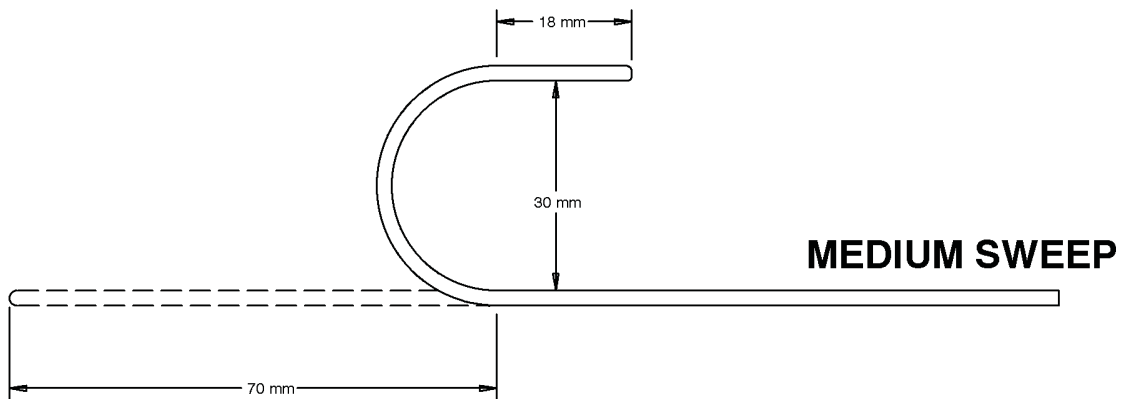
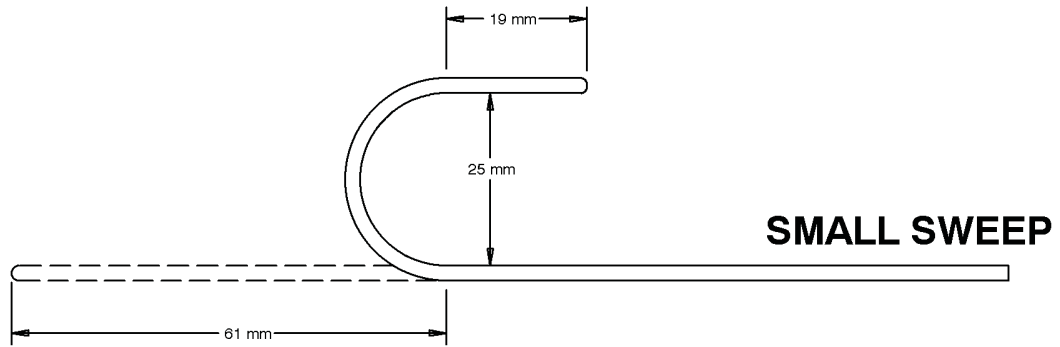
Inquiry™ Catheter Curve Reference

- Electrode spacing is measured edge to edge and reported in millimeters (mm)
- Standard catheter length is 110 cm



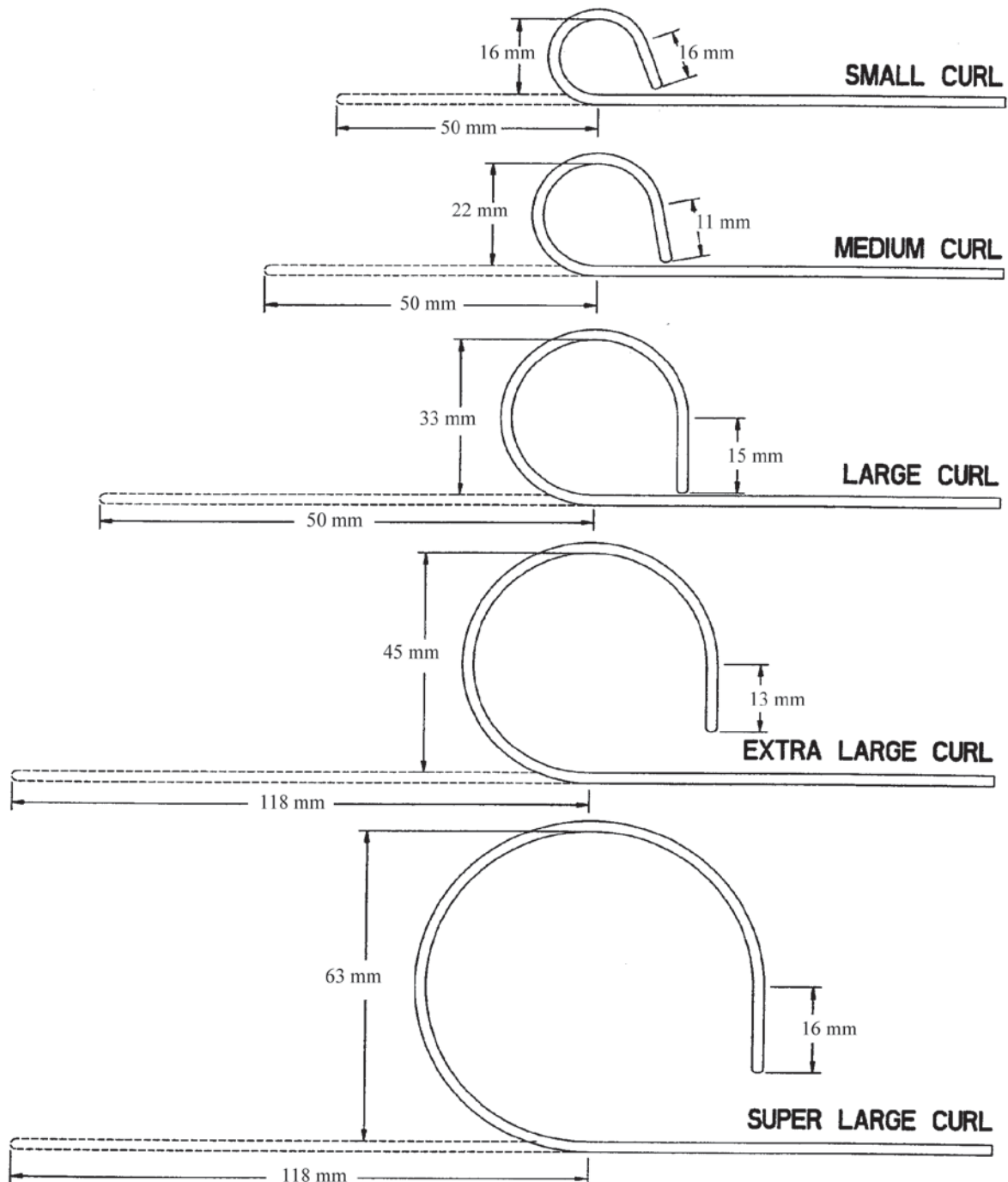
Livewire™, Reflexion™ Catheter Curve Reference

- Electrode spacing is measured edge to edge and reported in millimeters (mm)
- All electrodes are 1 mm wide unless otherwise indicated
- All dimensions are approximate



Livewire™, Reflexion™ Catheter Curve Reference

- Electrode spacing is measured edge to edge and reported in millimeters (mm)
- All electrodes are 1 mm wide unless otherwise indicated
- All dimensions are approximate



Inquiry™ Electrophysiology Catheters

Quadripolar

4 F

Product Highlights

- Options for anatomic variabilities
- Multiple curve configurations for ease of placement
- Push/pull handle for steering control
- 1 mm band electrodes

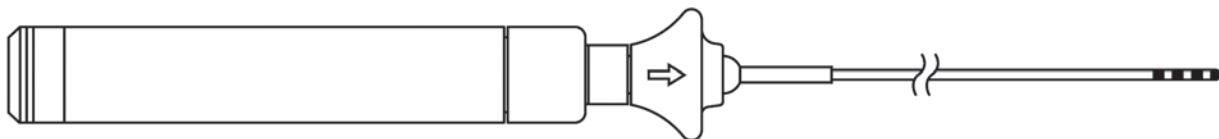
Ordering Information

Contents: 4 F Quadripolar steerable diagnostic catheter (1 unit per box)

Reorder Number	Description	Tip Electrode (mm)	Electrode Spacing (mm)	Curve Type	Usable Length (cm)
81540	1104-4-25-M	1	2-5-2	Medium	110
81542	1104-4-5-M	1	5	Medium	110
81543	1104-4-25-L	1	2-5-2	Large	110
81545	1104-4-5-L	1	5	Large	110

Required Catheter Connecting Cable – Page 125

Reorder Number	Model Number	Description	Length (m)
85953	1904-SA	4-Pin Diagnostic Connecting Cable	1.5



Inquiry™ Electrophysiology Catheters

Decapolar

4 F

Product Highlights

- Variable electrode spacing for pacing and recording
- Multiple curve configurations for ease of placement
- Push/pull handle for steering control
- 1 mm band electrodes

Ordering Information

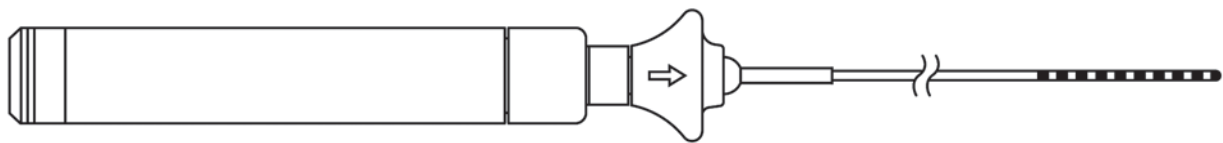
Contents: 4 F Decapolar steerable diagnostic catheter (1 unit per box)

Reorder Number	Description	Electrode Spacing (mm)	Curve Type	Usable Length (cm)
81530	1110-4-2-M	2	Medium	110
81531	1110-4-25-M	2-5-2	Medium	110
81532	1110-4-25-L	2-5-2	Large	110
81534	1110-4-5-L	5	Large	110
81537	1110-4-25-M(SC)(60)	25	M(SC)	60

Note: (60) indicates catheter length in cm

Required Catheter Connecting Cable – Page 125

Reorder Number	Model Number	Description	Length (m)
85954	1910-SA	10-Pin diagnostic Connecting Cable	1.5
85930	1910-S	10-Pin diagnostic Connecting Cable	1.5
85942	1910-S	10-Pin diagnostic Connecting Cable	2.5



Livewire™ Electrophysiology Catheters

Hexapolar

5 F

Product Highlights

- 5 F models employ the CRD-2™ curve for placement at HIS bundle
- Ergonomic handling
- Rotary dial designed for fine tip movements
- Color-coded cables for convenience
- 1 mm band electrodes

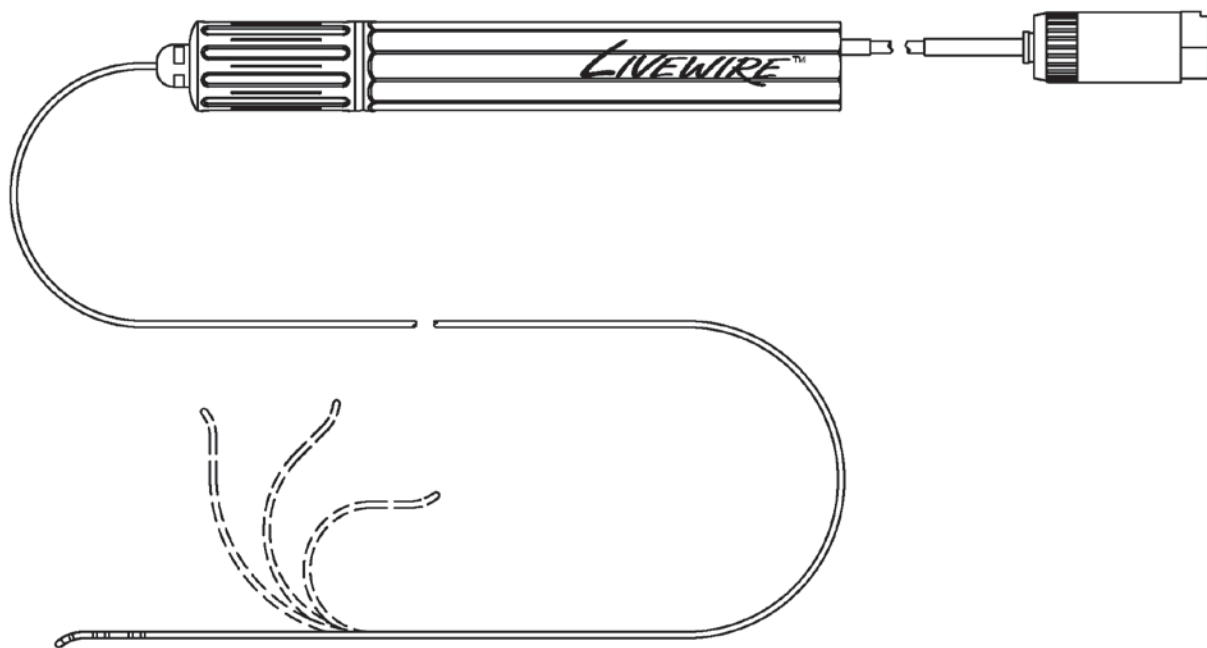
Ordering Information

Contents: Hexapolar catheter (1 unit per box)

Reorder Number	French Size	Electrode Spacing (mm)	Tip Electrode (mm)	Distal Reach	Usable Length (cm)
401653	5	2-5-2	2	Med Sweep CRD-2™	115
401654	5	5	2	Med Sweep CRD-2™	115

Required Catheter Connecting Cables – Page 126

Reorder Number	Color	Connects these Catheters	Length (cm)
401971	Black	Hexapolar	150
401972	Black	Hexapolar, Octapolar and Decapolar	150
401977	Red	Hexapolar, Octapolar and Decapolar	150
401976	Black	Hexapolar, Octapolar and Decapolar	210



Livewire™ Electrophysiology Catheter

Octapolar

5 F

Product Highlights

- 5 F model employs the CRD-2™ curve for placement at HIS bundle
- Ergonomic handling
- Rotary dial designed for fine tip movements
- Color-coded cables for convenience
- 1 mm band electrodes

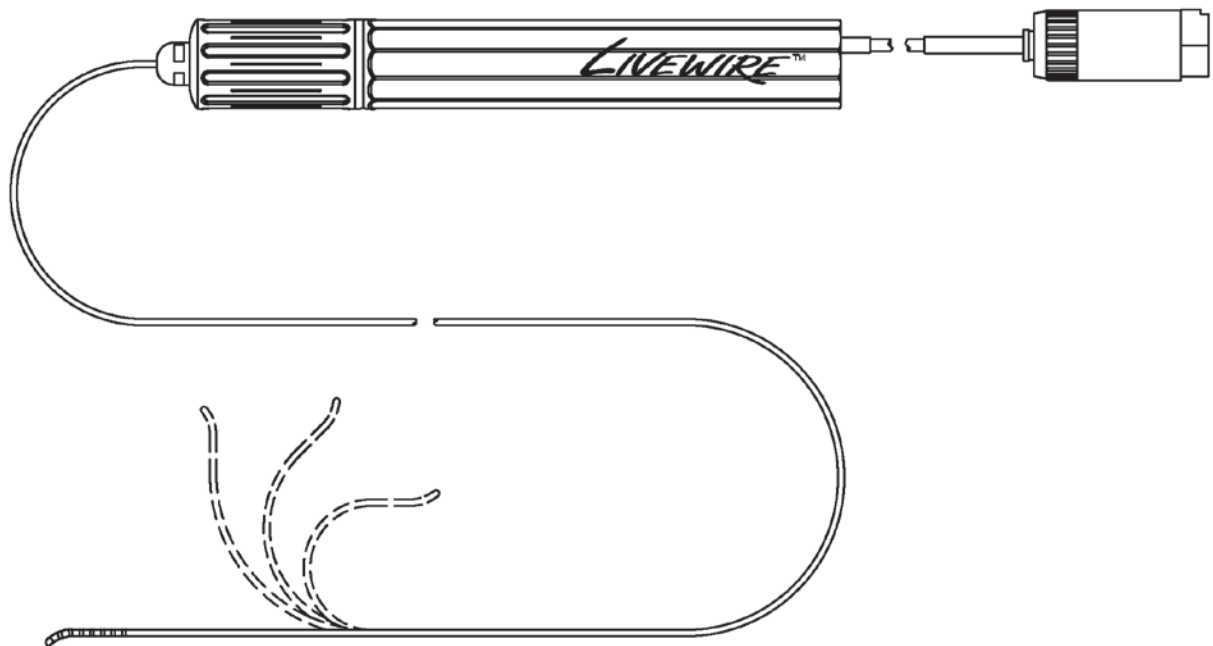
Ordering Information

Contents: Octapolar catheter (1 unit per box)

Reorder Number	French Size	Electrode Spacing (mm)	Tip Electrode (mm)	Distal Reach	Usable Length (cm)
401652	5	2-2-2	2	Med Sweep CRD-2™	115

Required Catheter Connecting Cables – Page 126

Reorder Number	Color	Connects these Catheters	Length (cm)
401972	Black	Hexapolar, Octapolar and Decapolar	150
401977	Red	Hexapolar, Octapolar and Decapolar	150
401976	Black	Hexapolar, Octapolar and Decapolar	210



Livewire™ Electrophysiology Catheters

Decapolar

5 F

Product Highlights

- Ergonomic handling
- Rotary dial designed for fine tip movements
- Color-coded cables for convenience
- 1 mm band electrodes

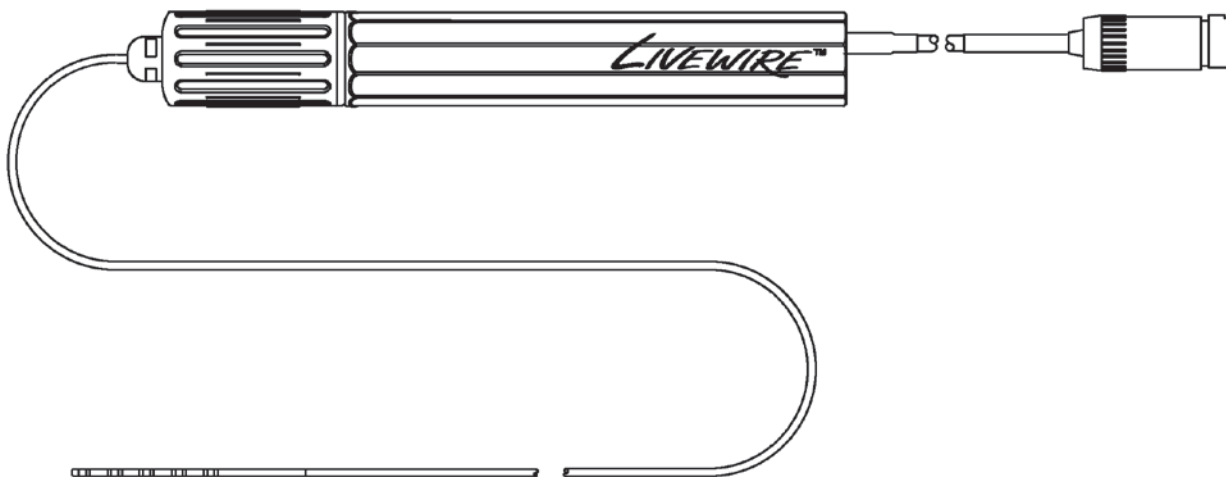
Ordering Information

Contents: 5 F Decapolar catheter (1 unit per box)

Reorder Number	French Size	Electrode Spacing (mm)	Tip Electrode (mm)	Distal Reach	Usable Length (cm)
401938	5	5-5-5	2	Med Sweep	115
401939	5	2-2-2	2	Med Sweep	115
401940	5	2-5-2	2	Med Sweep	115
401941	5	2-8-2	2	Extra Lrg Curl	115
401990	5	2-2-2	2	Extra Lrg Curl	115
401991	5	2-5-2	2	Extra Lrg Curl	115

Required Catheter Connecting Cables – Page 126

Reorder Number	Color	Connects these Catheters	Length (cm)
401972	Black	Hexapolar, Octapolar and Decapolar	150
401977	Red	Hexapolar, Octapolar and Decapolar	150
401976	Black	Hexapolar, Octapolar and Decapolar	210



Inquiry™ Electrophysiology Catheters

Quadripolar

5 F

Product Highlights

- Options for anatomic variabilities
- Multiple curve configurations for ease of placement
- Push/pull handle for steering control
- Soft tip option available
- 1 mm band electrodes

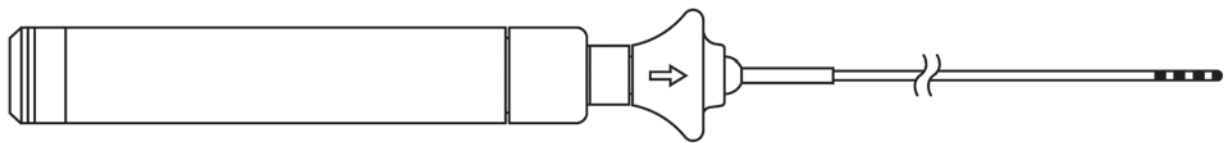
Ordering Information

Contents: 5 F steerable diagnostic catheter (1 unit per box)

Reorder Number	Description	Electrode Spacing (mm)	Curve Type	Usable Length (cm)
81472	1104-5-25-M	2-5-2	Medium	110
81473	1104-5-5-M	5	Medium	110
81474	1104-5-25-L	2-5-2	Large	110
81483	1104-5-5-E(HIS)(SOFT)	5	E(HIS)	110

Required Catheter Connecting Cables – Page 125

Reorder Number	Model Number	Description	Length (m)
85953	1904-SA	4-Pin Diagnostic Connecting Cable	1.5



Inquiry™ Electrophysiology Catheter Pentapolar

5 F

Product Highlights

- 2 mm band electrode
- 1 mm tip electrode
- Push/pull handle for steering control

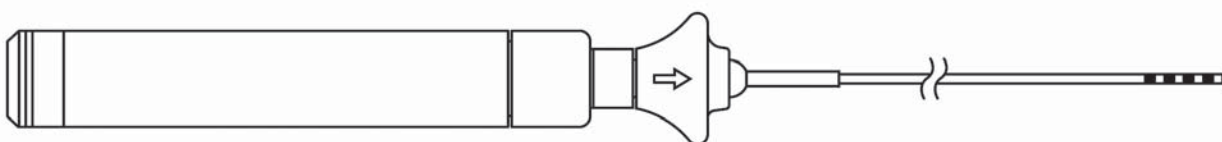
Ordering Information

Contents: 5 F Pentapolar Soft tip catheter (1 unit per box)

Reorder Number	Description	Electrode Spacing (mm)	Curve Type	Usable Length (cm)
81521	1105-5-5(170)-M/L-TE1BE2 (soft)	5 (170)	Medium/Large	110

Required Catheter Connecting Cable – Page 125

Reorder Number	Model Number	Description	Length (m)
85954	1910-SA	10-Pin diagnostic Connecting Cable	1.5
85930	1910-S	10-Pin diagnostic Connecting Cable	1.5
85942	1910-S	10-Pin diagnostic Connecting Cable	2.5



Inquiry™ Electrophysiology Catheters

Octapolar

5 F

Product Highlights

- Variable electrode spacing for pacing and recording
- Multiple curve configurations for ease of placement
- Push/pull handle for steering control
- 1 mm band electrode

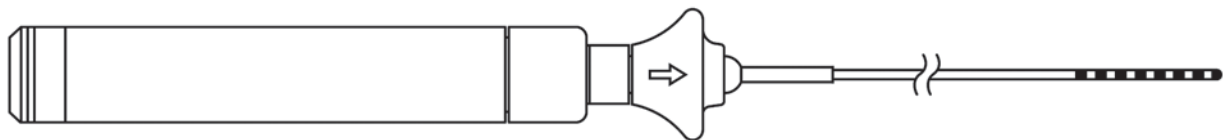
Ordering Information

Contents: 5 F steerable diagnostic catheter (1 unit per box)

Reorder Number	Description	Electrode Spacing (mm)	Curve Type	Usable Length (cm)
81871	1108-5-2-M	2	Medium	110
81872	1108-5-25-M	2-5-2	Medium	110

Required Catheter Connecting Cable – Page 125

Reorder Number	Model Number	Description	Length (m)
85954	1910-SA	10-Pin diagnostic Connecting Cable	1.5
85930	1910-S	10-Pin diagnostic Connecting Cable	1.5
85942	1910-S	10-Pin diagnostic Connecting Cable	2.5



Inquiry™ Electrophysiology Catheters

Decapolar

5 F

Product Highlights

- Variable electrode spacing for pacing and recording
- Multiple curve configurations for ease of placement
- Push/pull handle for steering control
- 1 mm band electrodes

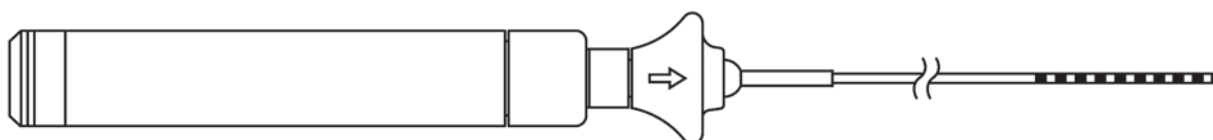
Ordering Information

Contents: 5 F Decapolar steerable diagnostic catheter (1 unit per box)

Reorder Number	Description	Tip Electrode (mm)	Electrode Spacing (mm)	Curve Type	Usable Length (cm)
81171	1110-5-2-M	1	2	Medium	110
81172	1110-5-25-M	1	2-5-2	Medium	110
81174	1110-5-25-L	1	2-5-2	Large	110
81223	1110-5-2(50)3-XL	1	2(50)3	X-Large	110
81734	1110-5-25-L (soft)	1	2-5-2	Large	110
81735	1110-5-5-L (soft)	1	5	Large	110
81736	1110-5-5(22)5-M/L (soft)	1	5(22)5	Medium/Large	110
81721	1110-5-25-M(SC) (soft)	1	2-5-2	Medium(SC)	110
81730	1110-5-28-M/L (soft)	1	2-8-2	Medium/Large	110

Required Catheter Connecting Cable – Page 125

Reorder Number	Model Number	Description	Length (m)
85954	1910-SA	10-Pin diagnostic Connecting Cable	1.5
85930	1910-S	10-Pin diagnostic Connecting Cable	1.5
85942	1910-S	10-Pin diagnostic Connecting Cable	2.5



Livewire™ Electrophysiology Catheters

Quadripolar

6 F

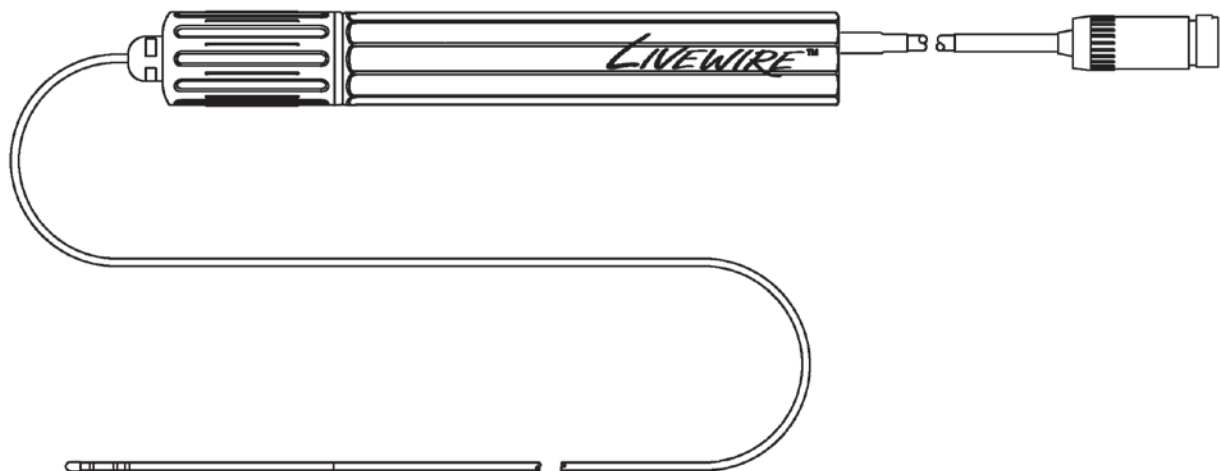
Product Highlights

- Ergonomic handling
- Rotary dial designed for fine tip movements
- Choice of curve radius and reach of distal tip
- Color-coded cables for convenience
- 1 mm band electrodes

Ordering Information

Contents: 6 F Quadripolar catheter (1 unit per box)

Reorder Number	French Size	Electrode Spacing (mm)	Tip Electrode (mm)	Distal Reach	Usable Length (cm)
401600	6	2-5-2	4	Med Sweep	115
401603	6	2-5-2	4	Med Curl	115
401572	6	2-5-2	2	Med Sweep	115
401606	6	2-5-2	2	Lrg Sweep	115
401933	6	5-5-5	2	Med Sweep	115
401934	6	5-5-5	2	Lrg Sweep	115
401970	Black	Bipolar and Quadripolar		150	
401973	Blue	Bipolar and Quadripolar		150	
401974	Grey	Bipolar and Quadripolar		150	
401975	Red	Bipolar and Quadripolar		150	



Information contained herein for distribution outside of the U.S. only.

Electrophysiology International Catalogue

©2013 St. Jude Medical. All Rights Reserved.



Livewire™ Electrophysiology Catheters

Octapolar

6 F

Product Highlights

- Ergonomic handling
- Rotary dial designed for fine tip movements
- Color-coded cables for convenience
- 1 mm band electrodes

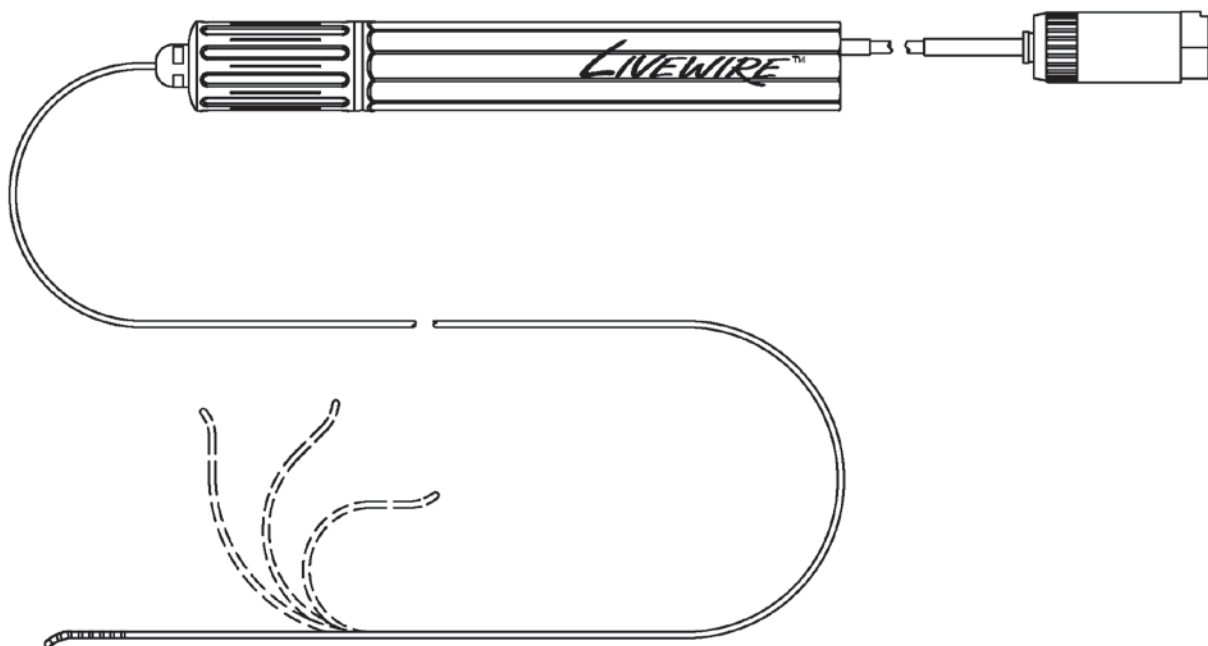
Ordering Information

Contents: Octapolar catheter (1 unit per box)

Reorder Number	French Size	Electrode Spacing (mm)	Tip Electrode (mm)	Distal Reach	Usable Length (cm)
401917	6	2-2-2	2	Med Sweep	115
401949	6	2-2-2	2	Lrg Sweep	115

Required Catheter Connecting Cables – Page 126

Reorder Number	Color	Connects these Catheters	Length (cm)
401972	Black	Hexapolar, Octapolar and Decapolar	150
401977	Red	Hexapolar, Octapolar and Decapolar	150
401976	Black	Hexapolar, Octapolar and Decapolar	210



Livewire™ Electrophysiology Catheters

Decapolar

6 F

Product Highlights

- Ergonomic handling
- Rotary dial designed for fine tip movements
- Color-coded cables for convenience
- 1 mm band electrodes

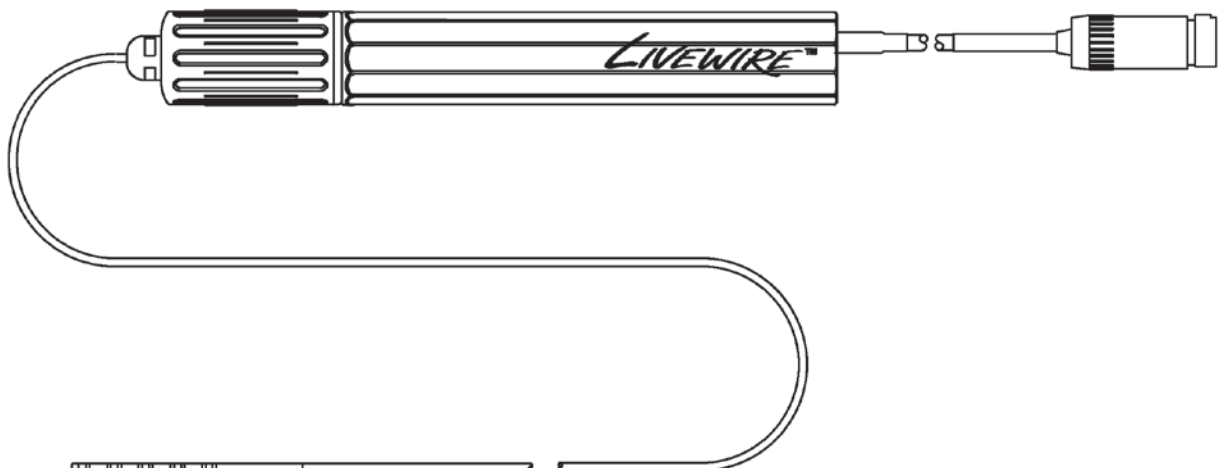
Ordering Information

Contents: Decapolar catheter (1 unit per box)

Reorder Number	French Size	Electrode Spacing (mm)	Tip Electrode (mm)	Distal Reach	Usable Length (cm)
401575	6	2-5-2	2	Med Sweep	115
401915	6	2-5-2	2	Extra Lrg Curl	115
401923	6	2-2-2	2	Extra Lrg Curl	115
401942	6	2-8-2	2	Extra Lrg Curl	115

Required Catheter Connecting Cables – Page 126

Reorder Number	Color	Connects these Catheters	Length (cm)
401972	Black	Hexapolar, Octapolar and Decapolar	150
401977	Red	Hexapolar, Octapolar and Decapolar	150
401976	Black	Hexapolar, Octapolar and Decapolar	210



Information contained herein for distribution outside of the U.S. only.

Electrophysiology International Catalogue

©2013 St. Jude Medical. All Rights Reserved.



Livewire™ Electrophysiology Catheter Decapolar CSL™ Bi-directional

6 F

Product Highlights

- Patented CSL™ curve for ease of placement in the coronary sinus
- Bi-directional tip deflection allows for superior or inferior approach
- Ergonomic handling
- Rotary dial designed for fine tip movements
- Color-coded cables for convenience
- 1 mm band electrodes

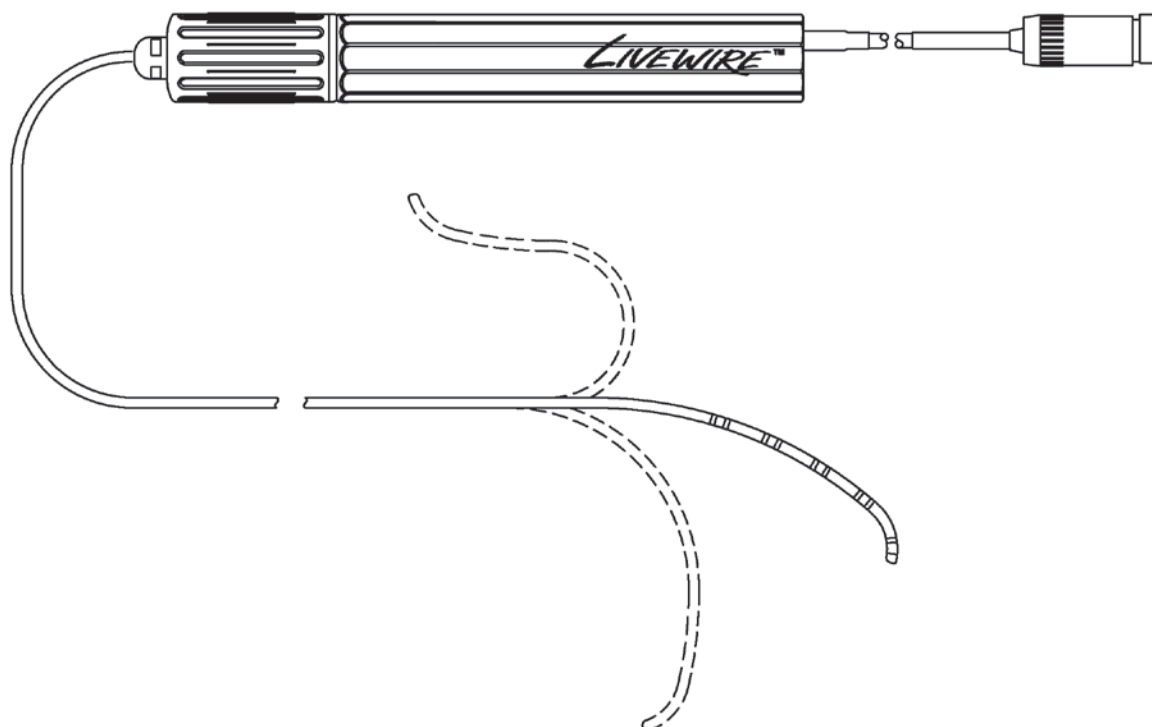
Ordering Information

Contents: 6 F Decapolar CSL™ catheter (1 unit per box)

Reorder Number	French Size	Electrode Spacing (mm)	Tip Electrode (mm)	Distal Reach	Usable Length (cm)
401926	6	2-8-2	2	Extra Lrg Sweep CSL™	115

Required Catheter Connecting Cables – Page 126

Reorder Number	Color	Connects these Catheters	Length (cm)
401972	Black	Hexapolar, Octapolar and Decapolar	150
401977	Red	Hexapolar, Octapolar and Decapolar	150
401976	Black	Hexapolar, Octapolar and Decapolar	210



Inquiry™ Electrophysiology Catheters

Quadripolar

6 F

Product Highlights

- Variable electrode spacing for pacing and recording
- Multiple curve configurations for ease of placement
- Push/pull handle for steering control
- 2 mm band electrodes

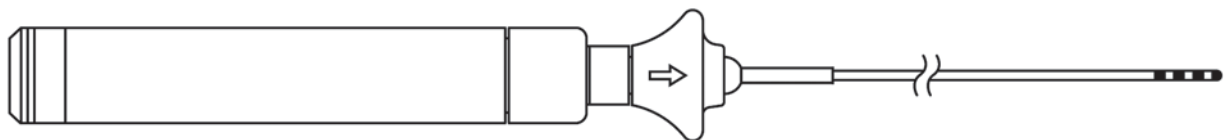
Ordering Information

Contents: 6 F steerable diagnostic catheter (1 unit per box)

Reorder Number	Description	Electrode Spacing (mm)	Curve Type	Usable Length (cm)
81402	1104-6-25-M	2-5-2	Medium	110
81403	1104-6-5-M	5	Medium	110
81404	1104-6-25-L	2-5-2	Large	110
81405	1104-6-5-L	5	Large	110
81417	1104-6-5-XL	5	X-Large	110
81418	1104-6-25-XL	2-5-2	X-Large	110

Required Catheter Connecting Cable – Page 125

Reorder Number	Model Number	Description	Length (m)
85953	1904-SA	4-Pin Diagnostic Connecting Cable	1.5



Inquiry™ Electrophysiology Catheters

Octapolar

6 F

Product Highlights

- Variable electrode spacing for pacing and recording
- Multiple curve configurations for ease of placement
- Push/pull handle for steering control
- Bi-directional Steering model

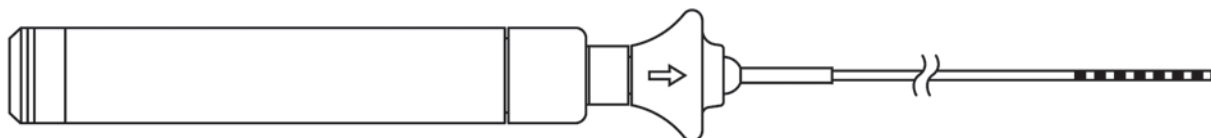
Ordering Information

Contents: 6 F Octapolar steerable diagnostic catheter (1 unit per box)

Reorder Number	Description	Electrode Spacing (mm)	Curve Type	Usable Length (cm)
81801	1108-6-2-M	2	Medium	110
81802	1108-6-25-M	2-5-2	Medium	110
81807	1108-6-2-L	2	Large	110
81809	1108-6-25-L	2-5-2	Large	110
81516	1108-6-25-L1-BD-TE2BE1(SOFT)	2-5-2	L1	110

Required Catheter Connecting Cable – Page 125

Reorder Number	Model Number	Description	Length (m)
85954	1910-SA	10-Pin diagnostic Connecting Cable	1.5
85930	1910-S	10-Pin diagnostic Connecting Cable	1.5
85942	1910-S	10-Pin diagnostic Connecting Cable	2.5



Inquiry™ Electrophysiology Catheters

Decapolar

6 F

Product Highlights

- Variable electrode spacing for pacing and recording
- Multiple curve configurations for ease of placement
- Push/pull handle for steering control
- Bi-directional Steering model

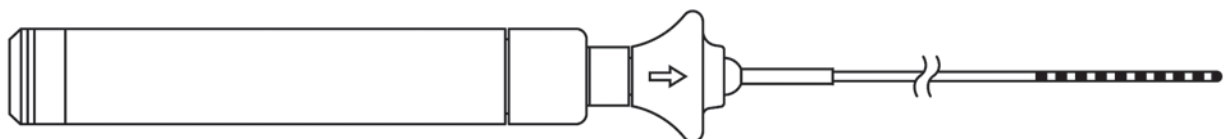
Ordering Information

Contents: 6 F Decapolar steerable diagnostic catheter (1 unit per box)

Reorder Number	Description	Electrode Spacing (mm)	Curve Type	Usable Length (cm)
81101	1110-6-2-M	2	Medium	110
81102	1110-6-25-M	2-5-2	Medium	110
81104	1110-6-25-L	2-5-2	Large	110
81105	1110-6-25-XL	2-5-2	X-Large	110
81107	1110-6-5-L	5	Large	110
81108	1110-6-2-L	2	Large	110
81520	1110-6-2-XL-TE4BE4	2	X-Large	110
81524	1110-6-2-L-TE4BE4	2	Large	110
87006	1110-6-25-M/L(SOFT)	2-5-2	Medium/Large	110
81945	1110-6-25-L(SOFT)	2-5-2	Large	110
81947	1110-6-5-M/L(SOFT)	5	Medium/Large	110
81504	1110-6-5-M-TE2BE2-BD	5	Medium	110

Required Catheter Connecting Cable – Page 125

Reorder Number	Model Number	Description	Length (m)
85954	1910-SA	10-Pin diagnostic Connecting Cable	1.5
85930	1910-S	10-Pin diagnostic Connecting Cable	1.5
85942	1910-S	10-Pin diagnostic Connecting Cable	2.5



Livewire™ Electrophysiology Catheters

Quadripolar

7 F

Product Highlights

- Ergonomic handling
- Rotary dial designed for fine tip movements
- Choice of curve radius and reach of distal tip
- Color-coded cables for convenience
- 1 mm band electrodes

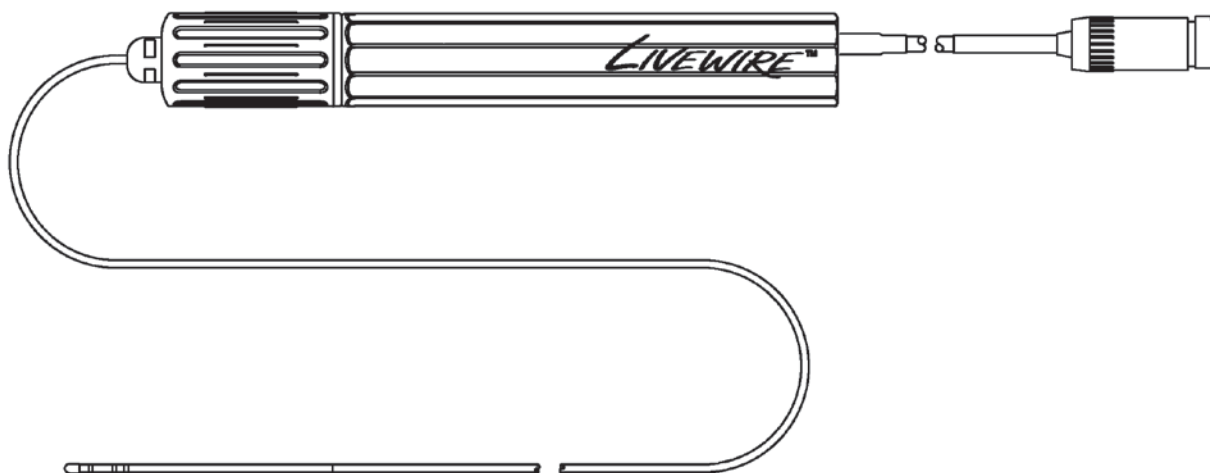
Ordering Information

Contents: 7 F Quadripolar catheter (1 unit per box)

Reorder Number	French Size	Electrode Spacing (mm)	Tip Electrode (mm)	Distal Reach	Usable Length (cm)
401576	7	2-5-2	4	Sml Sweep	115
401577	7	2-5-2	4	Med Sweep	115
401578	7	2-5-2	4	Lrg Sweep	115
401586	7	2-5-2	4	Sml Curl	115
401587	7	2-5-2	4	Med Curl	115
401588	7	2-5-2	4	Lrg Curl	115

Required Catheter Connecting Cables – Page 126

Reorder Number	Color	Connects these Catheters	Length (cm)
401970	Black	Bipolar and Quadripolar	150
401973	Blue	Bipolar and Quadripolar	150
401974	Grey	Bipolar and Quadripolar	150
401975	Red	Bipolar and Quadripolar	150



Livewire™ Electrophysiology Catheter

Hexapolar

7 F

Product Highlights

- 5 F models employ the CRD-2™ curve for placement at HIS bundle
- Ergonomic handling
- Rotary dial designed for fine tip movements
- Color-coded cables for convenience
- 1 mm band electrodes

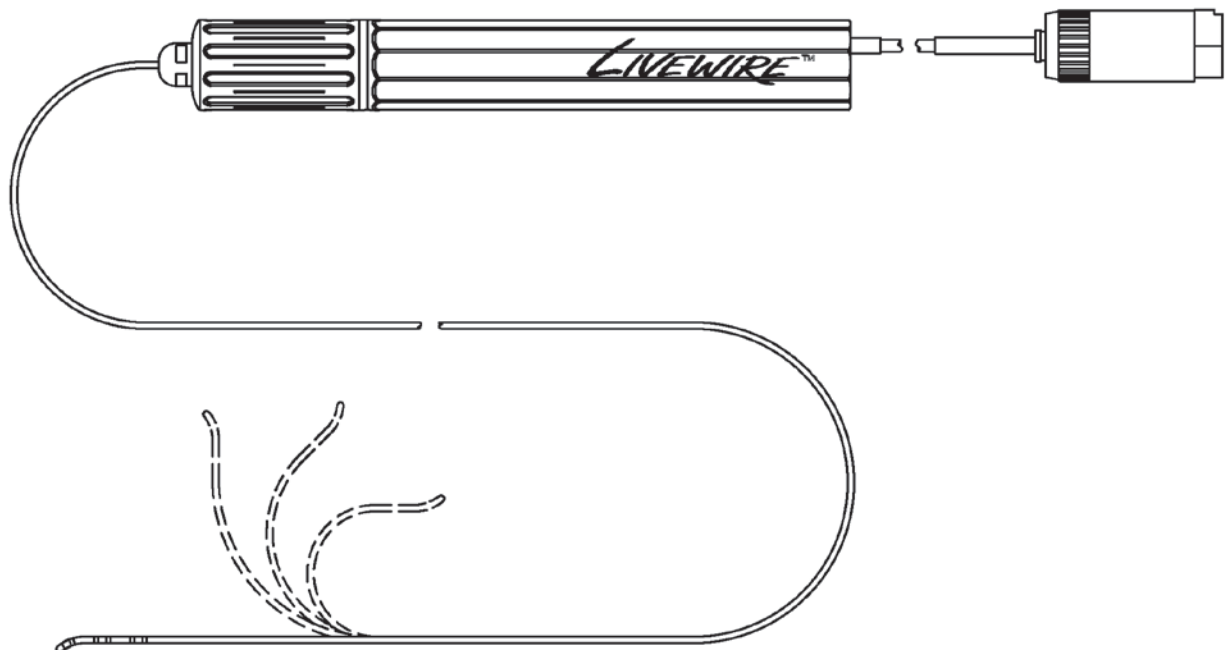
Ordering Information

Contents: Hexapolar catheter (1 unit per box)

Reorder Number	French Size	Electrode Spacing (mm)	Tip Electrode (mm)	Distal Reach	Usable Length (cm)
401580	7	2-5-2	2	Med Sweep	115

Required Catheter Connecting Cables – Page 126

Reorder Number	Color	Connects these Catheters	Length (cm)
401971	Black	Hexapolar	150
401972	Black	Hexapolar, Octapolar and Decapolar	150
401977	Red	Hexapolar, Octapolar and Decapolar	150
401976	Black	Hexapolar, Octapolar and Decapolar	210



Information contained herein for distribution outside of the U.S. only.

Electrophysiology International Catalogue

©2013 St. Jude Medical. All Rights Reserved.



Livewire™ Electrophysiology Catheter

Octapolar

7 F

Product Highlights

- Ergonomic handling
- Rotary dial designed for fine tip movements
- Color-coded cables for convenience
- 1 mm band electrodes

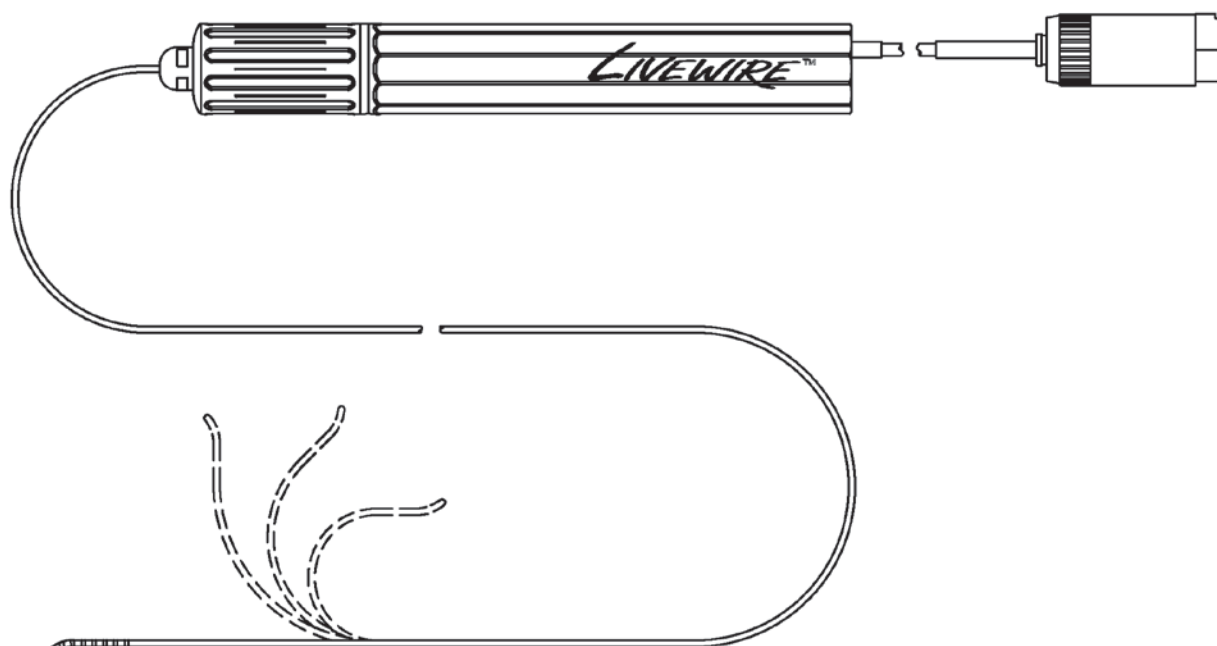
Ordering Information

Contents: Octapolar catheter (1 unit per box)

Reorder Number	French Size	Electrode Spacing (mm)	Tip Electrode (mm)	Distal Reach	Usable Length (cm)
401581	7	2-5-2	2	Med Sweep	115

Required Catheter Connecting Cables – Page 126

Reorder Number	Color	Connects these Catheters	Length (cm)
401972	Black	Hexapolar, Octapolar and Decapolar	150
401977	Red	Hexapolar, Octapolar and Decapolar	150
401976	Black	Hexapolar, Octapolar and Decapolar	210



Livewire™ Electrophysiology Catheter

Decapolar

7 F

Product Highlights

- Ergonomic handling
- Rotary dial designed for fine tip movements
- Color-coded cables for convenience
- 1 mm band electrodes

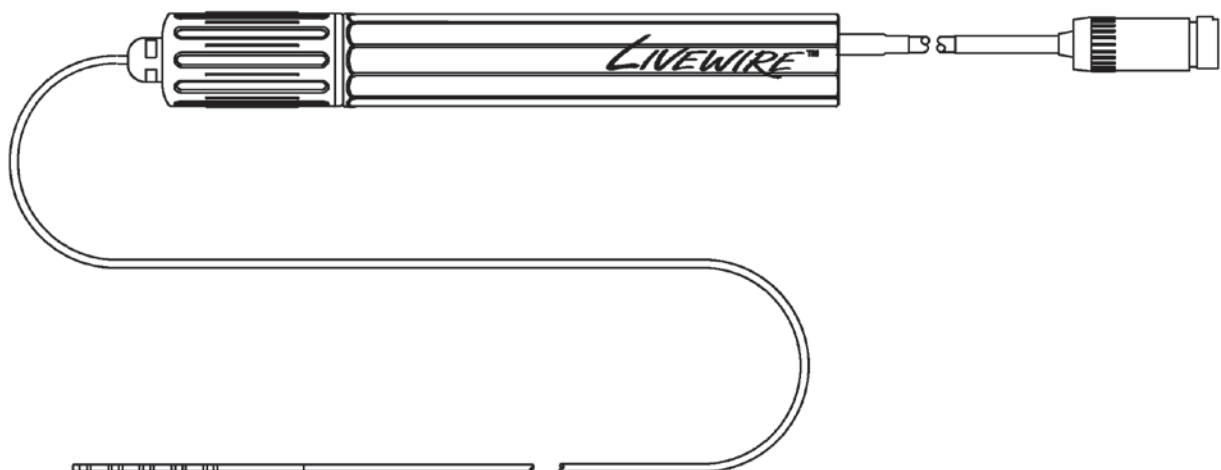
Ordering Information

Contents: Decapolar catheter (1 unit per box)

Reorder Number	French Size	Electrode Spacing (mm)	Tip Electrode (mm)	Distal Reach	Usable Length (cm)
401582	7	2-5-2	2	Med Sweep	115
401935	7	2	2	Xtra Lrg Sweep	115

Required Catheter Connecting Cables – Page 126

Reorder Number	Color	Connects these Catheters	Length (cm)
401972	Black	Hexapolar, Octapolar and Decapolar	150
401977	Red	Hexapolar, Octapolar and Decapolar	150
401976	Black	Hexapolar, Octapolar and Decapolar	210



Livewire™ Electrophysiology Catheters Duo-Decapolar (20 electrodes)

7 F

Product Highlights

- Ergonomic handling
- Rotary dial designed for fine tip movements
- Color-coded cables for convenience
- 1 mm band electrodes

Ordering Information

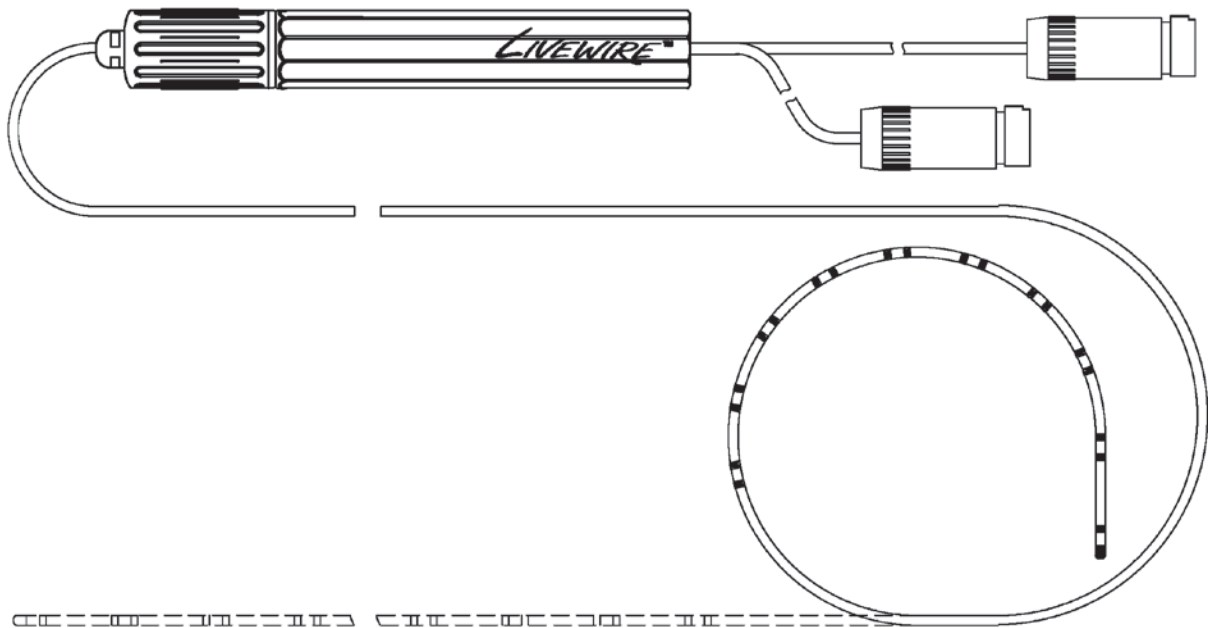
Contents: 7 F Duo-Decapolar catheter (1 unit per box)

Note: Requires two catheter extension cables

Reorder Number	French Size	Electrode Spacing (mm)	Tip Electrode (mm)	Distal Reach	Usable Length (cm)
401904	7	2-10-2	2	Super Large Curl	95
401905	7	5-5-5	2	Super Large Curl	95
401914	7	2-5-2	2	Super Large Curl	95
401908	7	2-2-2	2	Medium Curl	115

Required Catheter Connecting Cables – Page 126

Reorder Number	Color	Connects these Catheters	Length (cm)
401972	Black	Hexapolar, Octapolar and Decapolar	150
401977	Red	Hexapolar, Octapolar and Decapolar	150
401976	Black	Hexapolar, Octapolar and Decapolar	210



Livewire™ Electrophysiology Catheter Dual-Purpose Duo-Decapolar (20 electrodes)

7 F

Product Highlights

- Electrode spacing allows for use within CS and right atrium
- Ergonomic handling
- Rotary dial designed for fine tip movements
- Color coded cables for convenience
- 1 mm band electrodes

Ordering Information

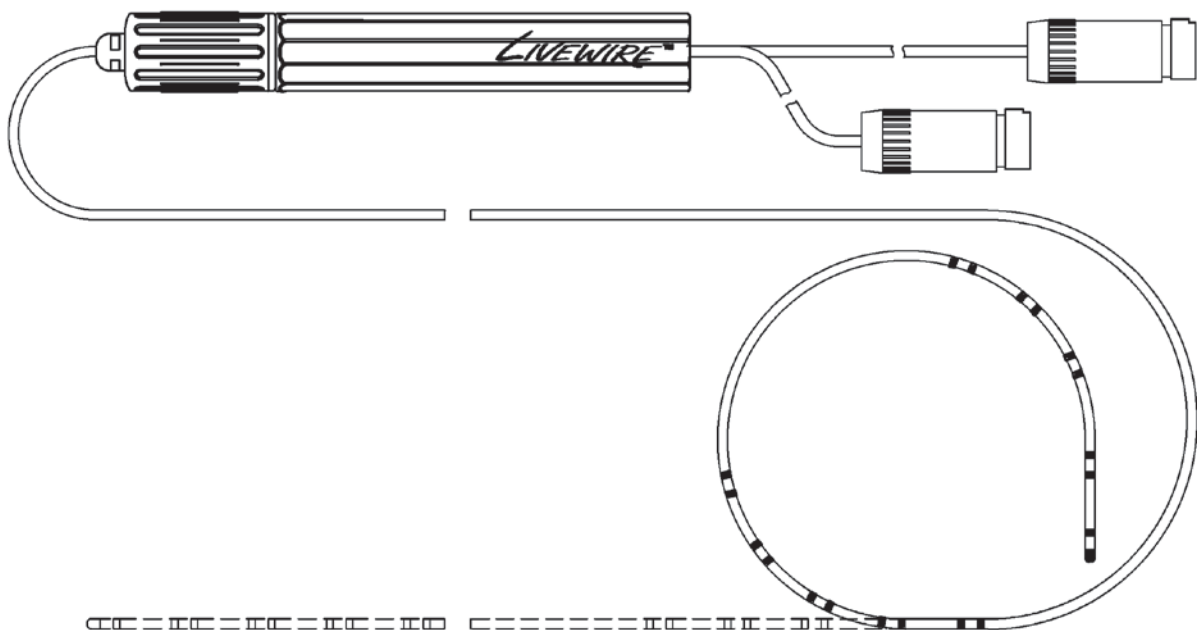
Contents: 7 F Duo-Decapolar catheter (1 unit per box)

Note: Requires two catheter extension cables

Reorder Number	French Size	Electrode Spacing (mm)	Tip Electrode (mm)	Distal Reach	Usable Length (cm)
401932	7	2-8-2-(60)-2-8-2	2	Super Large Curl	95

Required Catheter Connecting Cables – Page 126

Reorder Number	Color	Connects these Catheters	Length (cm)
401972	Black	Hexapolar, Octapolar and Decapolar	150
401977	Red	Hexapolar, Octapolar and Decapolar	150
401976	Black	Hexapolar, Octapolar and Decapolar	210



Inquiry™ Electrophysiology Catheters

Ten Ten™ Catheter

7 F

Product Highlights

- Variable electrode spacing for pacing and recording
- Multiple curve configurations for ease of placement
- Push/pull handle for steering control
- Duo-decapolar design for mapping in the high right atrium
- Multiple curve options for ease of placement
- 1 mm band electrodes
- 20 poles

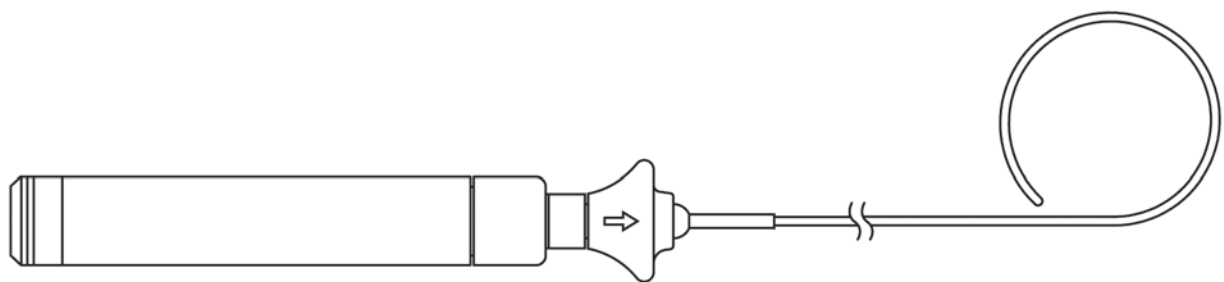
Ordering Information

Contents: Ten Ten™ catheter (1 unit per box)

Reorder Number	Description	Electrode Spacing (mm)	Tip (mm)	Curve Type	Usable Length (cm)
81202	1120-7-2-10-XXL	2-10-2	1	XX-Large	110
81207	1120-7-5-SL	5	1	Super Large	110
81209	1120-7-25-SL	2-5-2	1	Super Large	110

Required Catheter Connecting Cable – Page 125

Reorder Number	Model Number	Description	Length (m)
85931	1924-S	24-Pin Diagnostic Connecting Cable	1.5



Inquiry™ Electrophysiology Catheters

H-Curve

7 F

Product Highlights

- Multiple curve configurations for ease of placement
- Push/pull handle for steering control
- 45° offset angle facilitates placement along the TVA
- 1 mm band electrodes

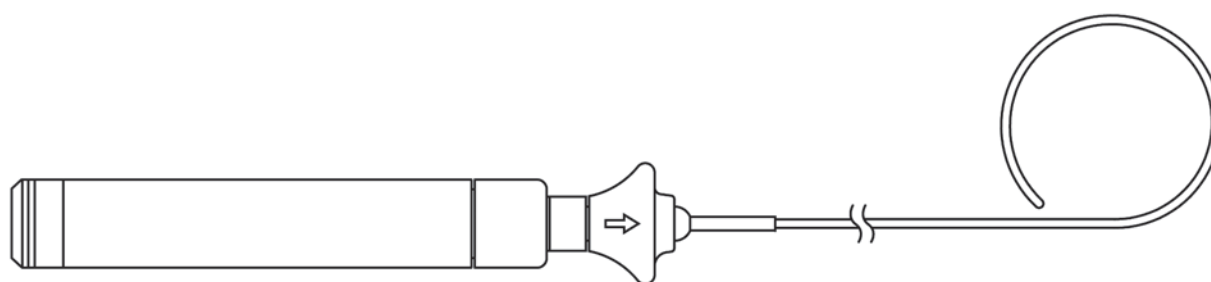
Ordering Information

Contents: 7 F Decapolar H-Curve catheter (1 unit per box)

Reorder Number	Description	Tip (mm)	Electrode Spacing (mm)	Curve Type	Usable Length
81125	1110-7-291-H	1 Active	2-9-1	H-Curve	110
81126	1110-7-291-HL	1 Active	2-9-1	H-Large	110

Required Catheter Connecting Cable – Page 125

Reorder Number	Model Number	Description	Length (m)
85954	1910-SA	10-Pin diagnostic Connecting Cable	1.5
85930	1910-S	10-Pin diagnostic Connecting Cable	1.5
85942	1910-S	10-Pin diagnostic Connecting Cable	2.5



Inquiry™ Electrophysiology Catheters

H-Curve

7 F

Product Highlights

- Variable electrode spacing for pacing and recording, and increased mapping options in the right atrium
- Multiple curve configurations for ease of placement
- Push/pull handle for steering control
- 45° offset angle facilitates placement along the TVA
- 1 mm band electrodes

Ordering Information

Contents: 7 F Duo-Decapolar H-Curve catheter (1 unit per box)

Reorder Number	Description	Tip (mm)	Electrode Spacing (mm)	Curve Type	Usable Length
81120	1120-7-17-H	1 Inactive	1-7-1	H-Curve	110
81130	1120-7-19-HL	1 Inactive	1-9-1	H-Large	110
81136	1120-7-5-HL-UP	1 Inactive	5	H-Large	110
81128	1121-7-5-H-UP		5	H-Curve	110

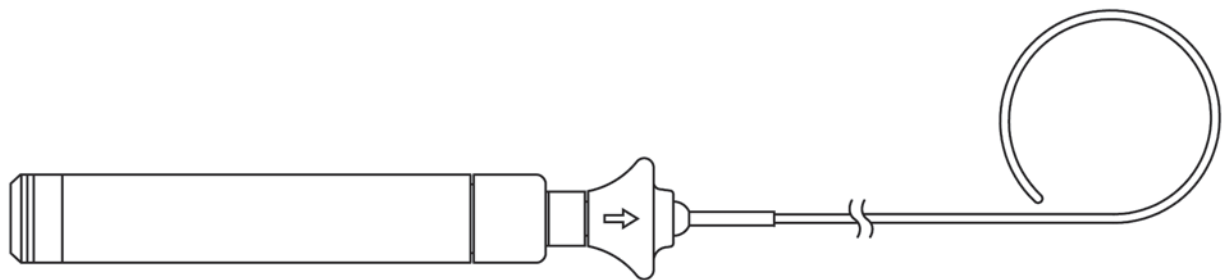
Note: 81136 has a reference electrode 35 cm from distal tip

Note: 81128 has 21 electrodes including a reference electrode 35 cm from distal tip

Note: 81131 has 21 electrodes including a reference electrode 30 cm from distal tip

Required Catheter Connecting Cable – Page 125

Reorder Number	Model Number	Description	Length (m)
85931	1924-S	24-Pin Diagnostic Connecting Cable	1.5



Inquiry™ Electrophysiology Catheters

H-Curve

7 F

Product Highlights

- Variable electrode spacing for pacing and recording, and increased mapping options in the right atrium
- Multiple curve configurations for ease of placement
- Push/pull handle for steering control
- Choice of curve configuration to accommodate placement
- 45° offset angle facilitates placement along the TVA
- 1 mm band electrodes

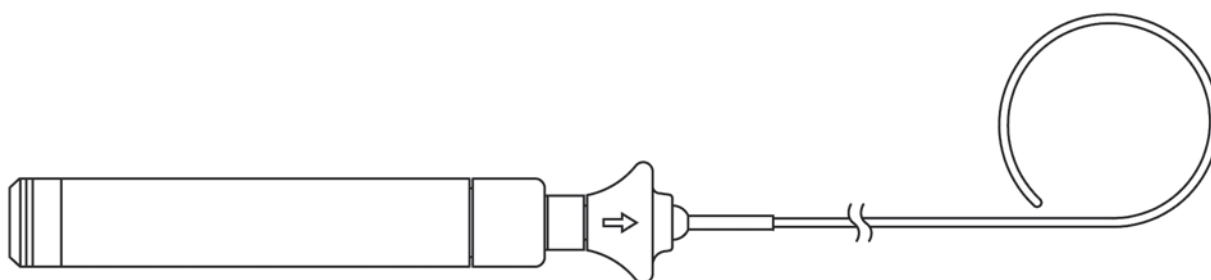
Ordering Information

Contents: 7 F 24-Pole H-Curve catheter (1 unit per box)

Reorder Number	Description	Electrode Spacing (mm)	Curve Type	Usable Length
81124	1124-7-271-H	2-7-1	H-Curve	110
81134	1124-7-291-HL	2-9-1	H-Large	110

Required Catheter Connecting Cable – Page 125

Reorder Number	Model Number	Description	Length (m)
85931	1924-S	24-Pin Diagnostic Connecting Cable	1.5



Inquiry™ Electrophysiology Catheters

Luma-Cath™ Catheters

7 F

Product Highlights

- Bipolar curve configuration
- Guidewire access via central lumen
- 1 mm band electrodes

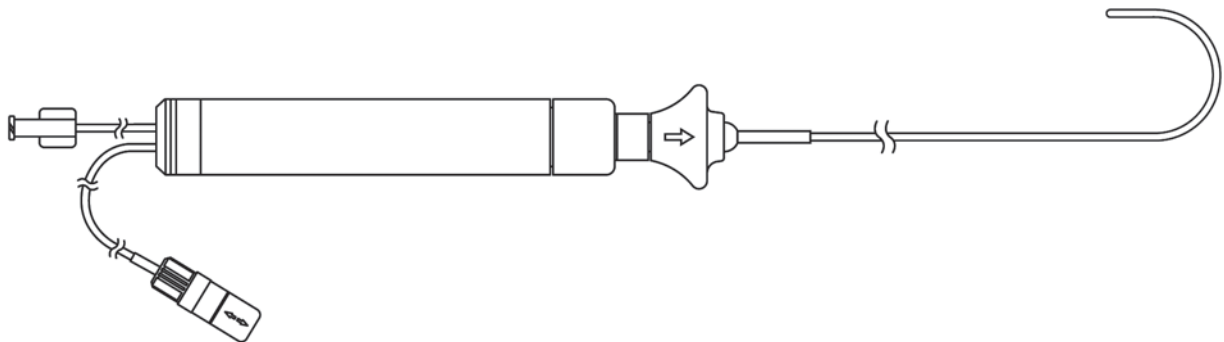
Ordering Information

Contents: 7 F Bipolar steerable Luma-Cath™ catheter (1 unit per box)

Reorder Number	Description	Electrode Spacing (mm)	Curve Type	Usable Length (cm)
81938	1102-L-7-5-L	5	Large	110

Required Catheter Connecting Cable – Page 125

Reorder Number	Model Number	Description	Length (m)
85953	1904-SA	4-Pin Diagnostic Connecting Cable	1.5



Inquiry™ Electrophysiology Catheter Luma-Cath™ Catheter

7 F

Product Highlights

- Decapolar curve configuration
- Guidewire access via central lumen
- 1 mm band electrodes

Ordering Information

Contents: 7 F Decapolar steerable Luma-Cath™ catheter (1 unit per box)

Reorder Number	Description	Electrode Spacing (mm)	Tip (mm)	Curve Type	Usable Length (cm)
81918	1110-L-7-25-L	2-5-2	1	Large	110
81920	1110-L-7-25-M	2-5-2	1	Medium	110

Required Catheter Connecting Cables – Page 125

Reorder Number	Model Number	Description	Length (m)
83954	1910-SA	10-Pin Diagnostic Connecting Cable	1.5
83930	1910-S	10-Pin Diagnostic Connecting Cable	2.5

