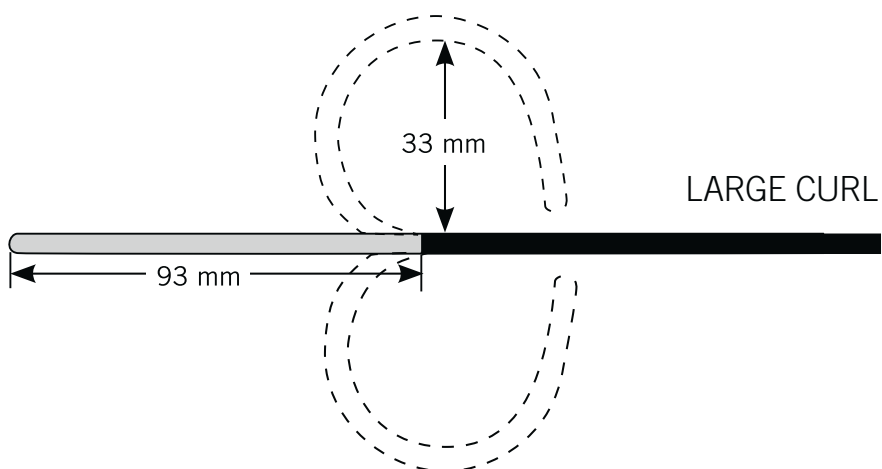
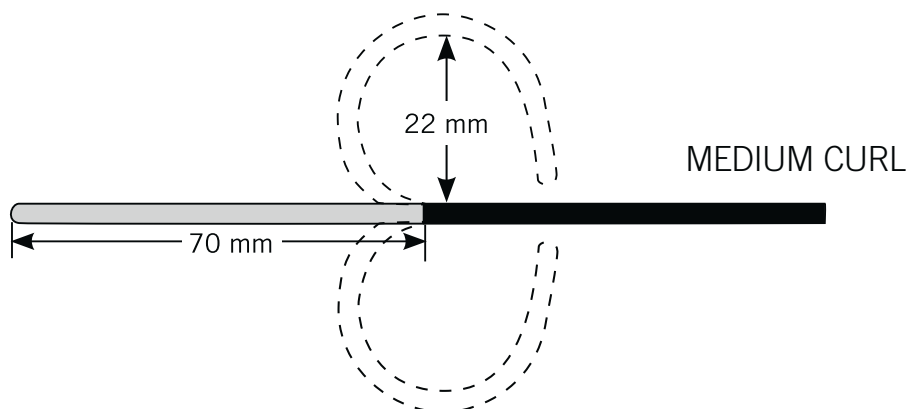
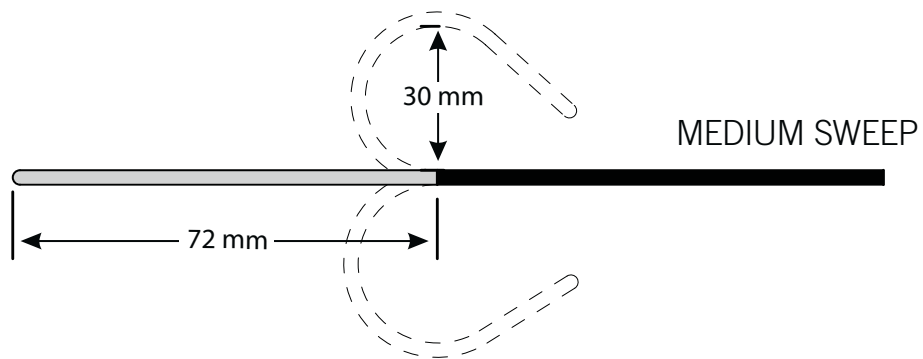
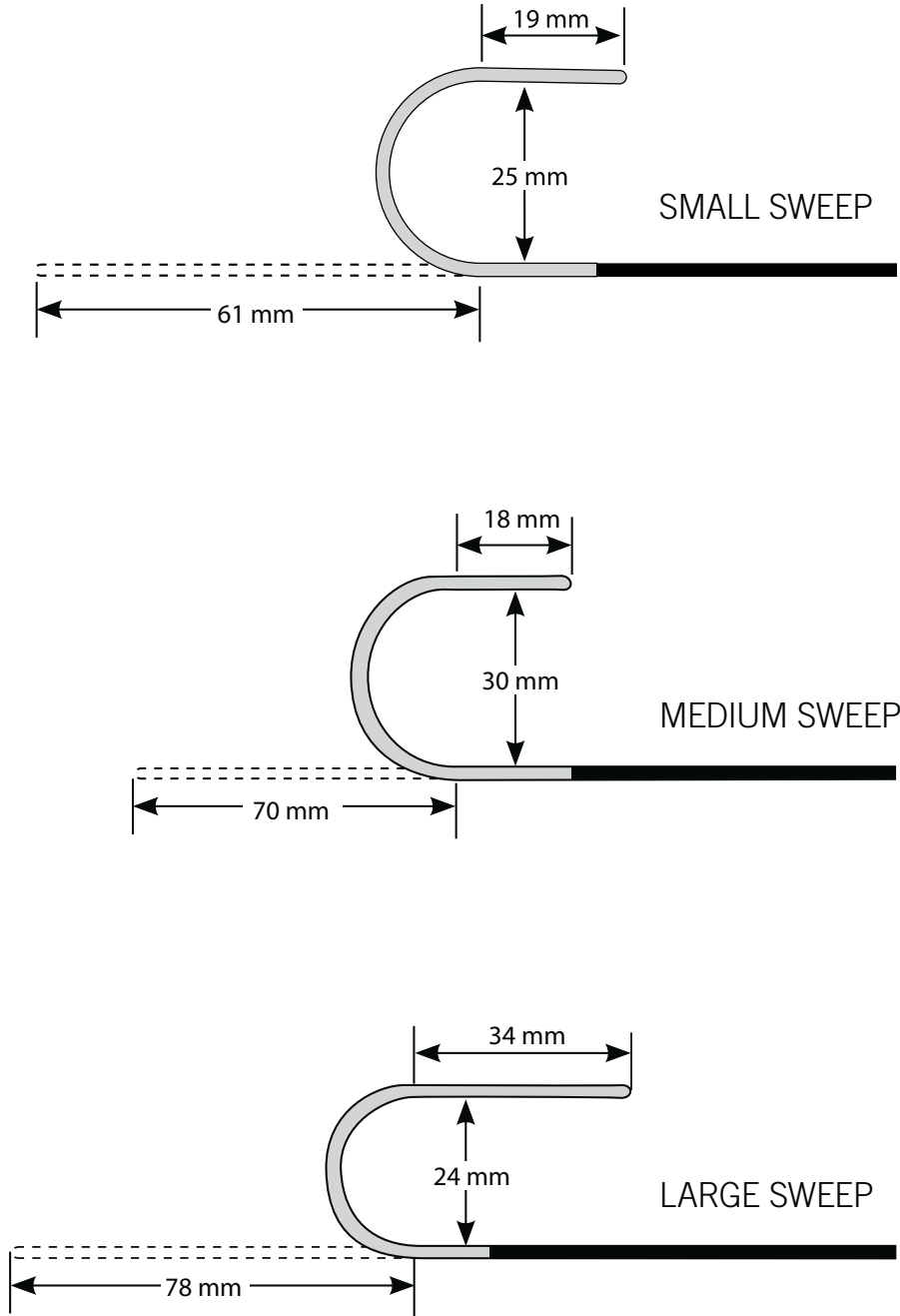


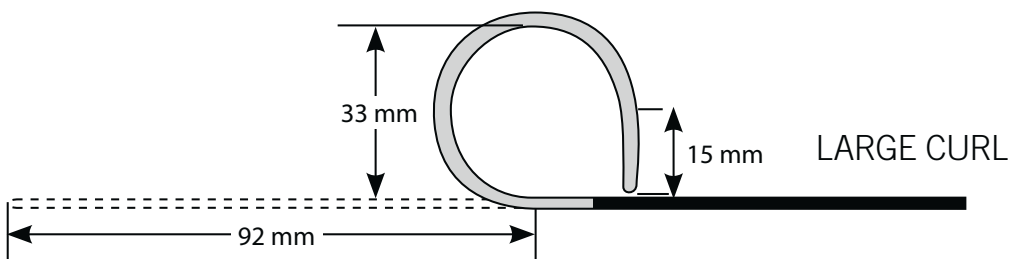
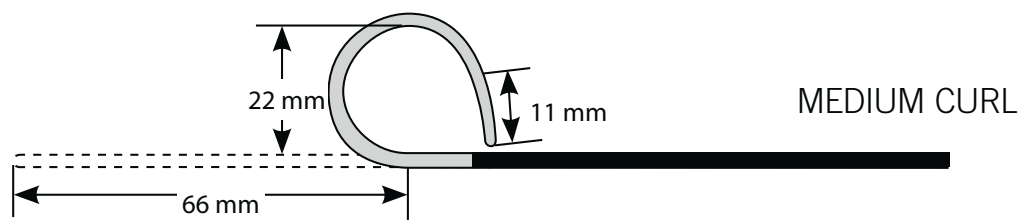
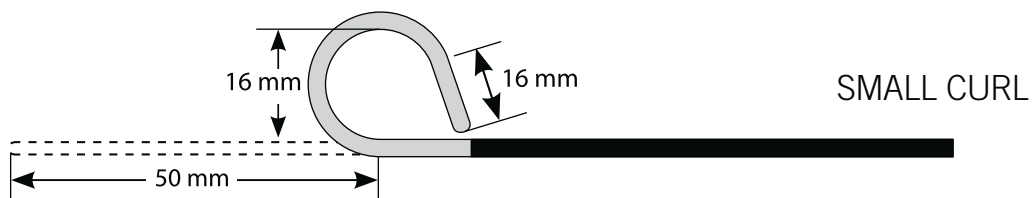
Livewire™ TC Ablation Catheter (4 mm bi-directional) Curve Reference



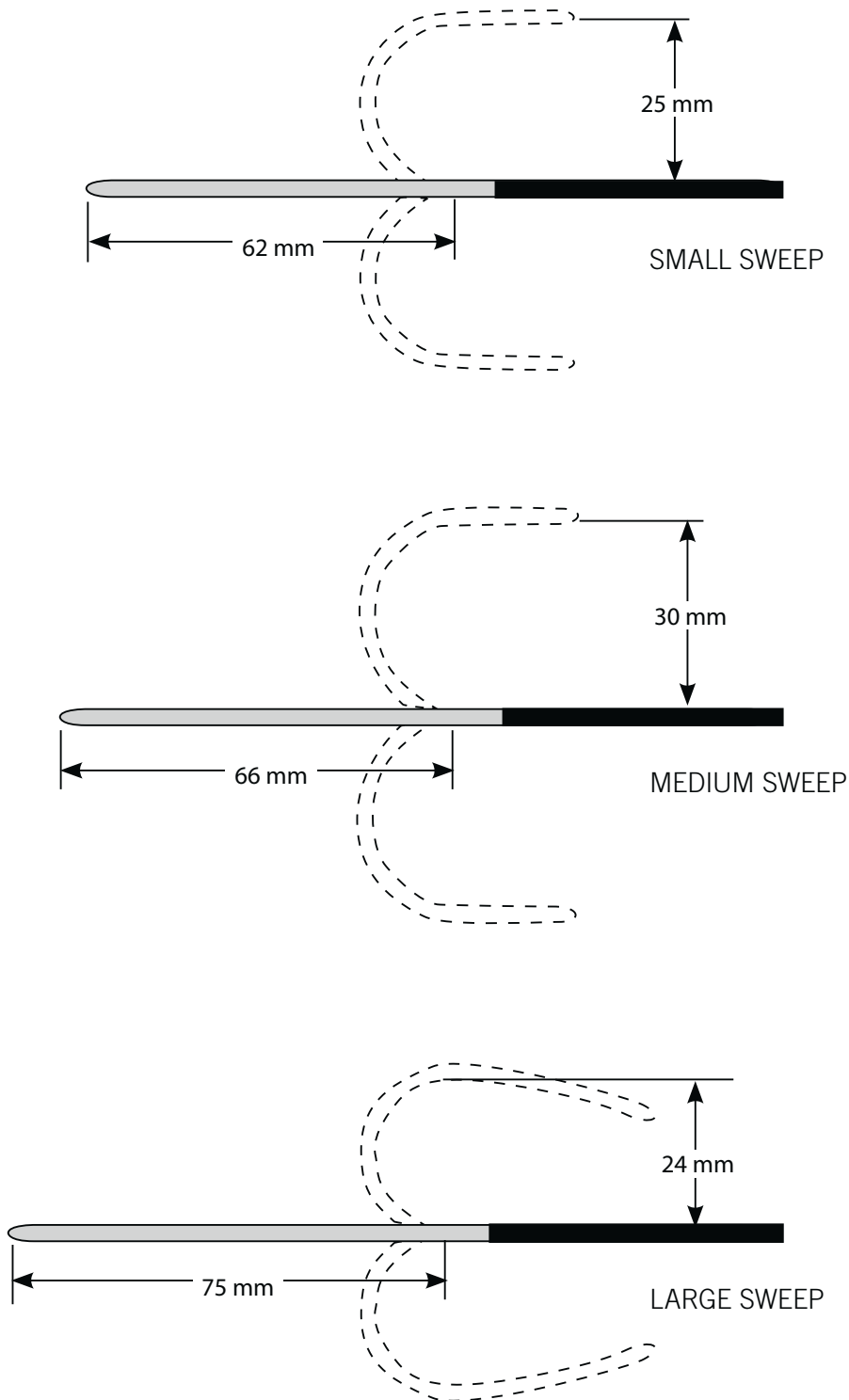
Livewire™ TC Ablation Catheter (4 & 8 mm uni-directional)
Curve Reference



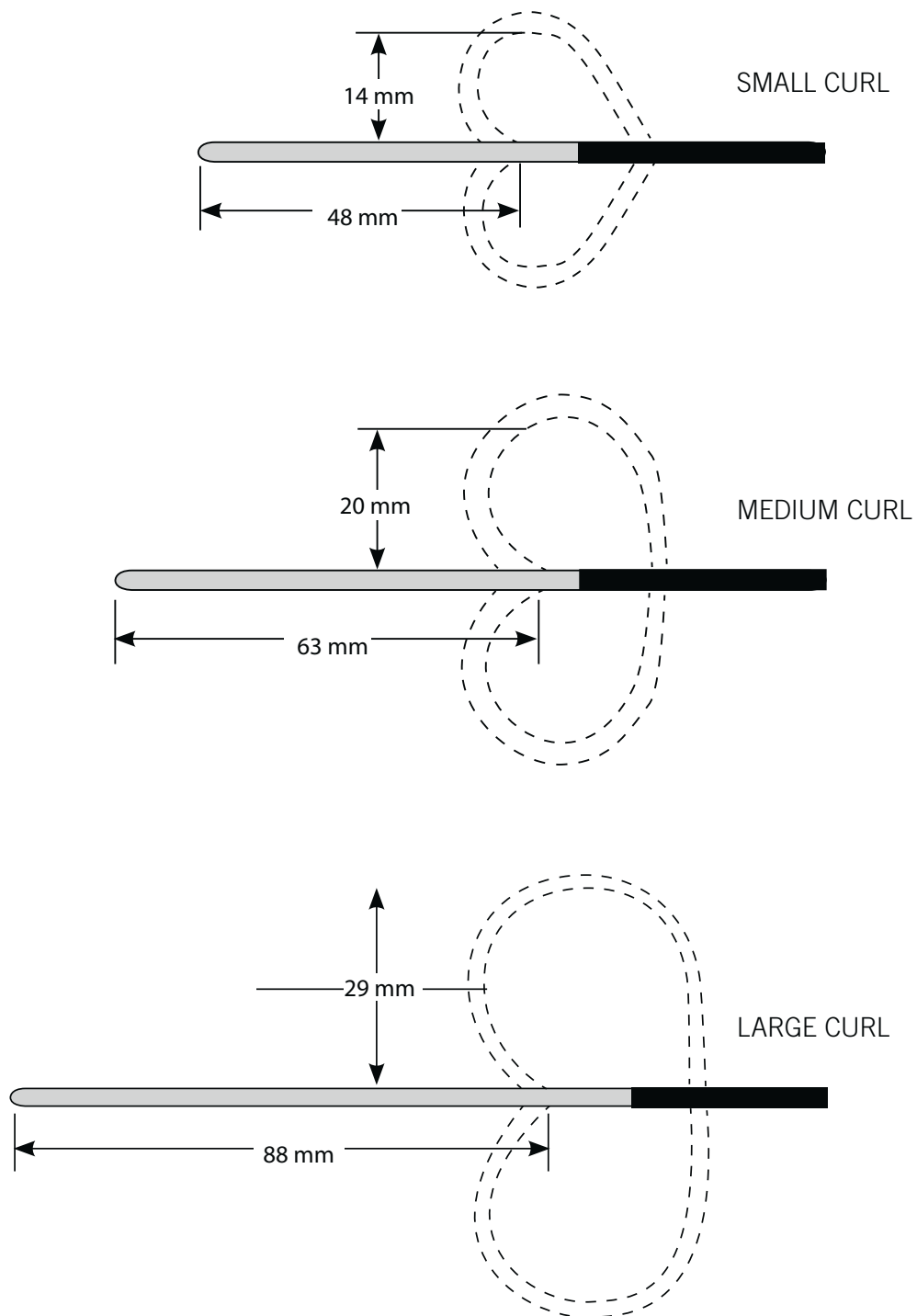
Livewire™ TC Ablation Catheter (4 & 8 mm uni-directional) Curve Reference



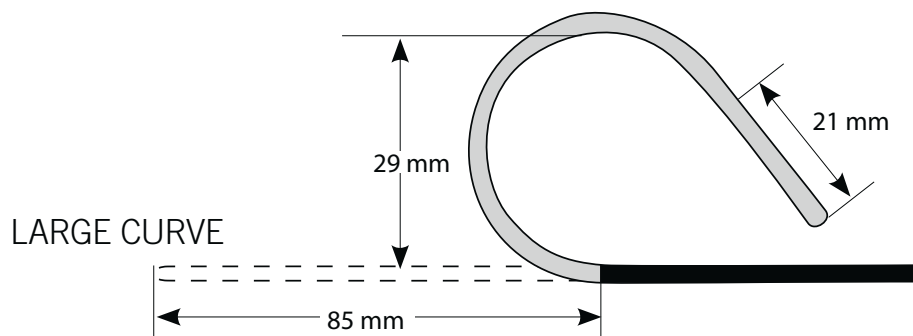
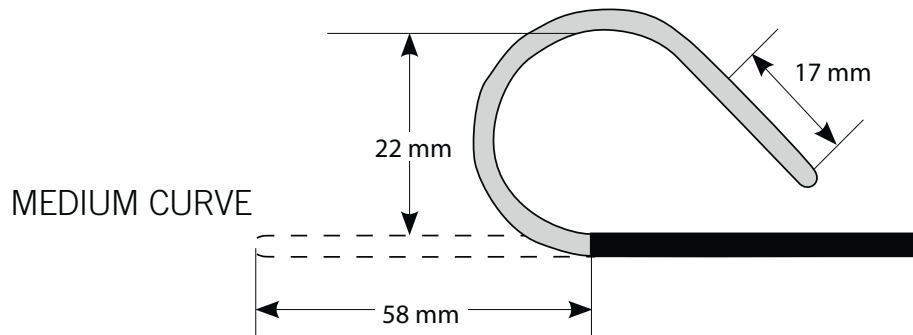
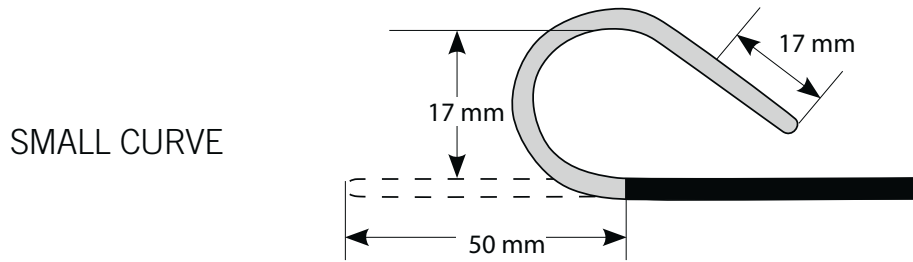
Safire™ Ablation Catheter (4 & 8 mm bi-directional)
Curve Reference



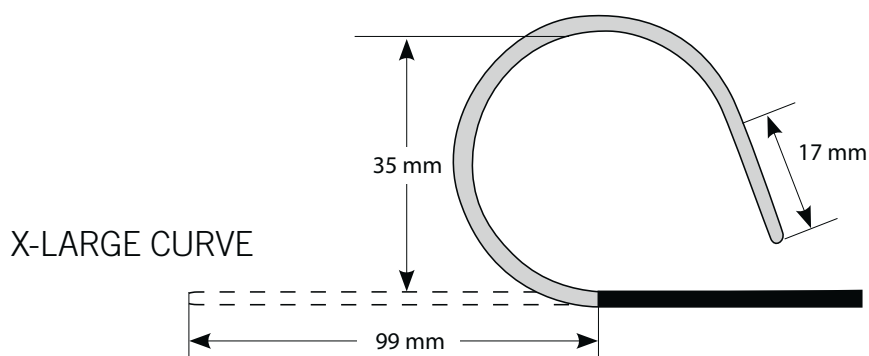
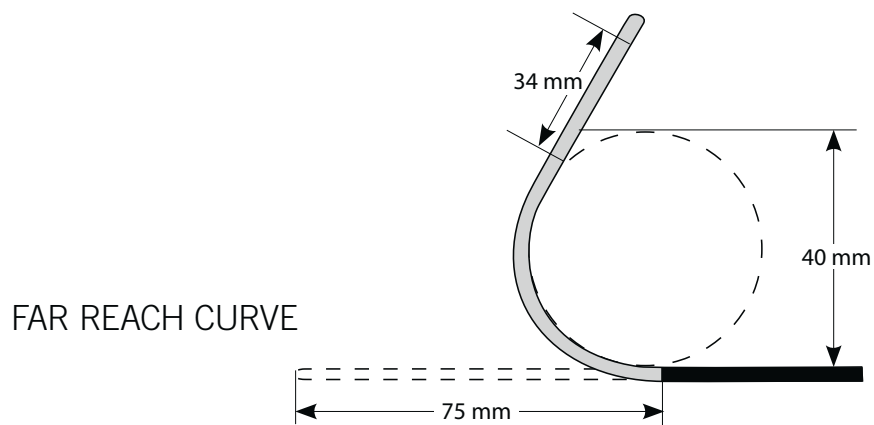
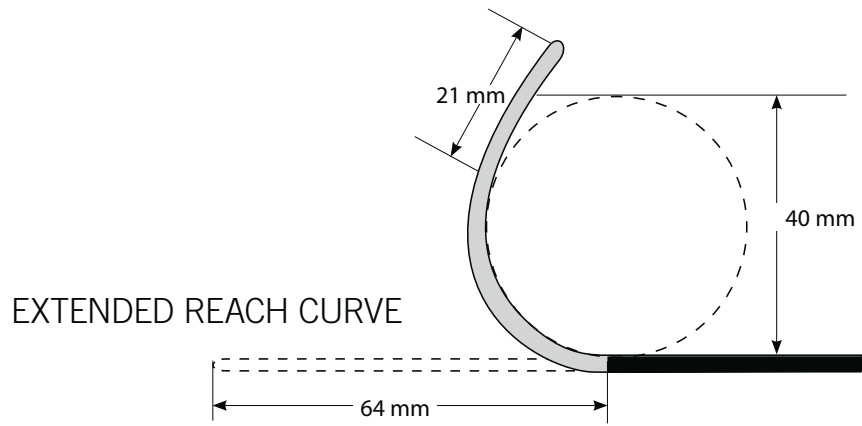
Safire™ Ablation Catheter (4 & 8 mm bi-directional) Curve Reference



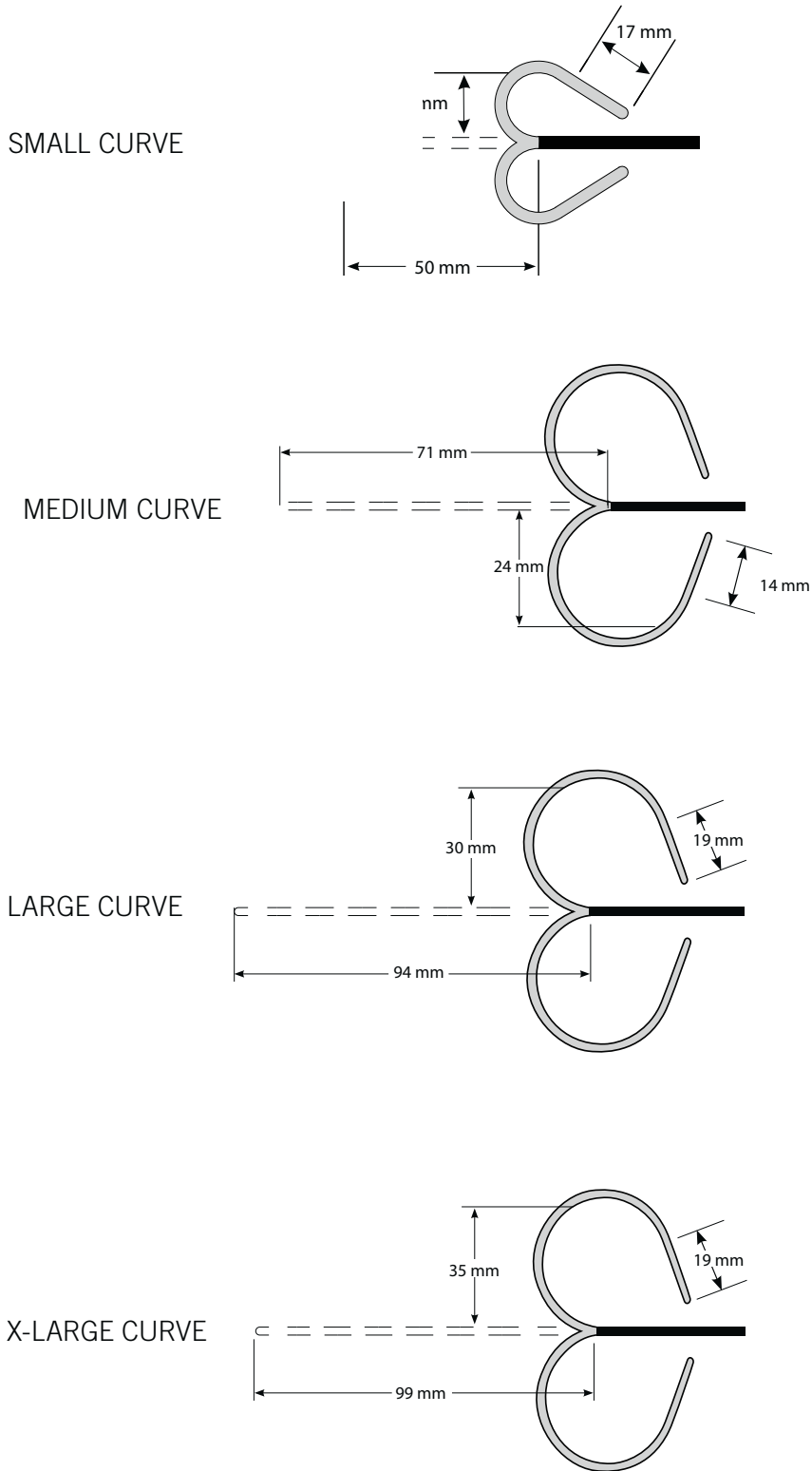
Therapy™ Ablation Catheter (4 & 8 mm uni-directional) and
Therapy™ Dual-8™ Ablation Catheter (8 mm uni-directional)
Curve Reference



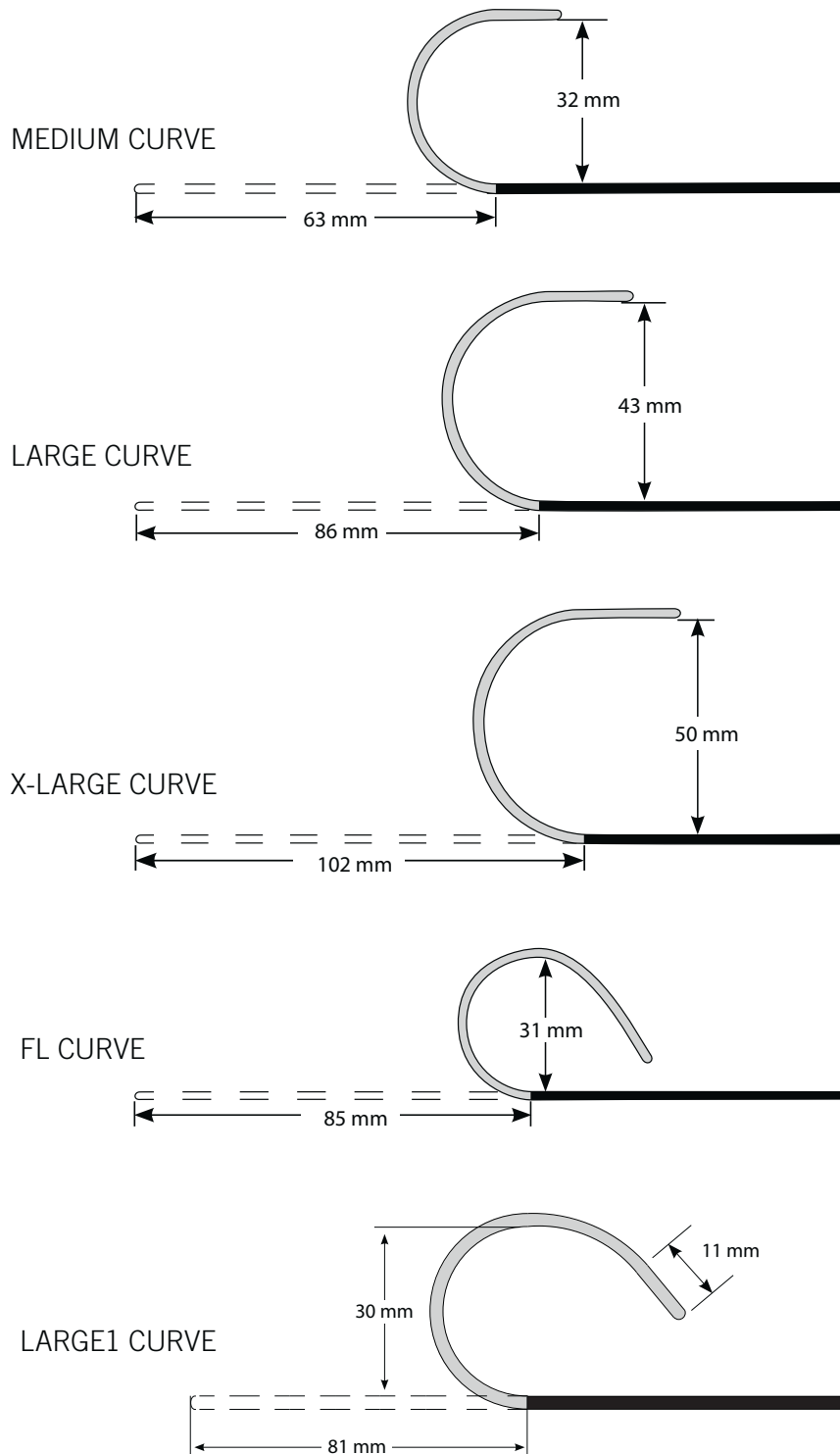
Therapy™ Ablation Catheter (4 & 8 mm) and
 Therapy™ Dual-8™ Ablation Catheter (8 mm uni-directional)
 Curve Reference



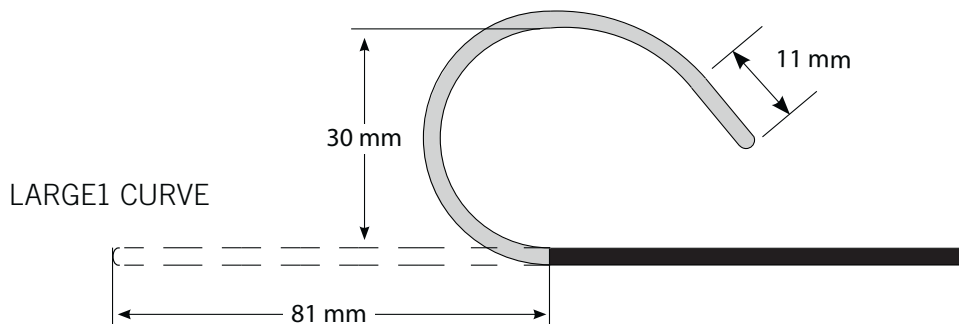
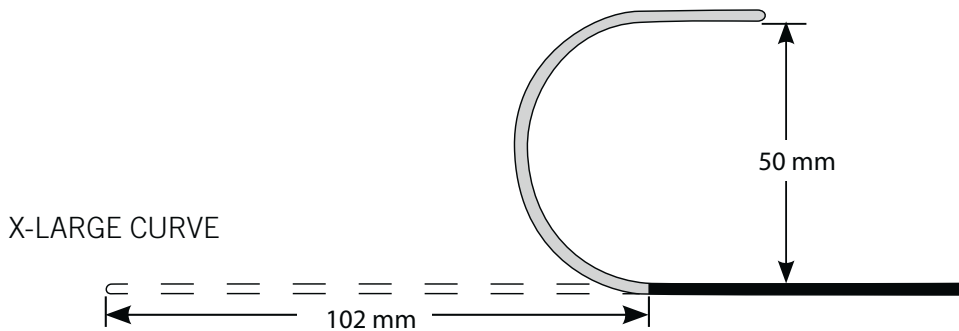
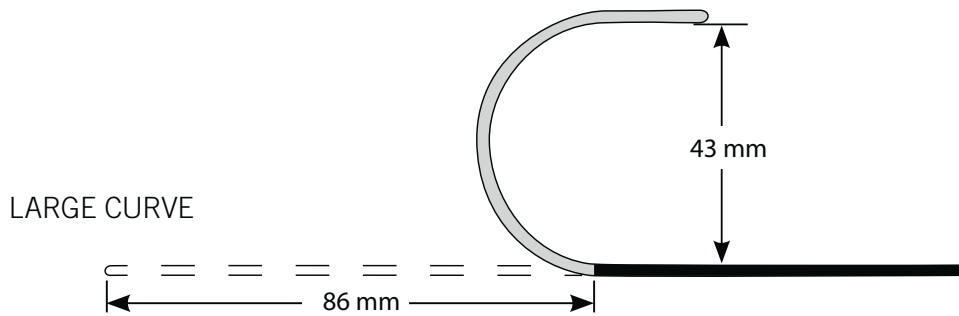
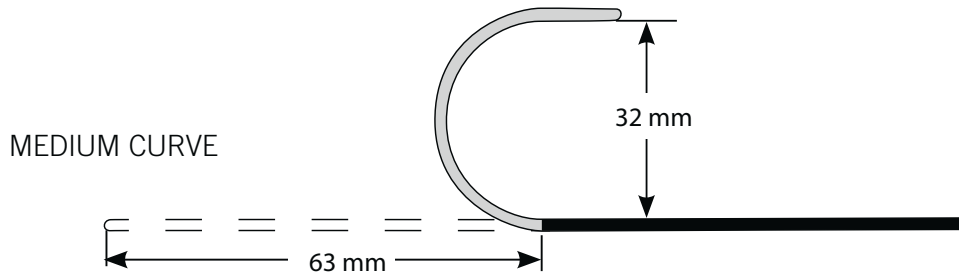
Therapy™ Ablation Catheter (4 & 8 mm bi-directional) Curve Reference



Therapy™ Cool Path™ Irrigated Ablation Catheter
 (2 & 4 mm uni-directional)
 Curve Reference



Therapy™ Cool Path™ Duo, Therapy™ Cool Flex™ and Contact™ Therapy™
Cool Path™ Duo Ablation Catheters
4 mm Tip
Curve Reference



Safire™ BLU™ Duo and Therapy™ Cool Path™ Duo
 Ablation Catheters (Bi-directional)
 4 mm Tip
 Curve Reference

