

# Inquiry™ Electrophysiology Catheter Inquiry™ AFocus™ Catheter

**5 F**

## Product Highlights

- Fixed shaft with perpendicular 4 F variable loop
- Multi-directional mapping for electrode positioning in various anatomical structures
- Push/pull handle for steering control
- 1 mm band electrodes

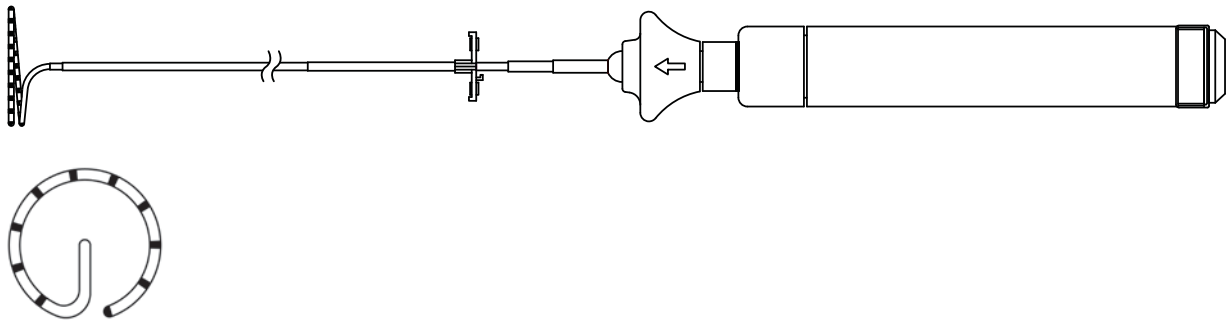
## Ordering Information

Contents: 5 F fixed AFocus™ catheter (1 unit per box)

Reorder Number	Description	Number of Electrodes	Electrode Spacing (mm)	Loop Diameter	Usable Length (cm)
81674	1110-5-5-AF20	10	5	20 mm	110

### Required Catheter Connecting Cable – Page 125

Reorder Number	Model Number	Description	Length (m)
85954	1910-SA	10-Pin diagnostic Connecting Cable	1.5
85955	1914-SA	14-Pin Diagnostic Connecting Cable	1.5
85930	1910-S	10-Pin diagnostic Connecting Cable	1.5
85942	1910-S	10-Pin diagnostic Connecting Cable	2.5



# Inquiry™ Electrophysiology Catheters

## Inquiry™ AFocus II™ Catheter

5 F

### Product Highlights

- Steerable shaft with 4 F fixed loop
- Multi-directional mapping for electrode positioning in various anatomical structures
- Push/pull handle for steering control
- 1 mm band electrodes

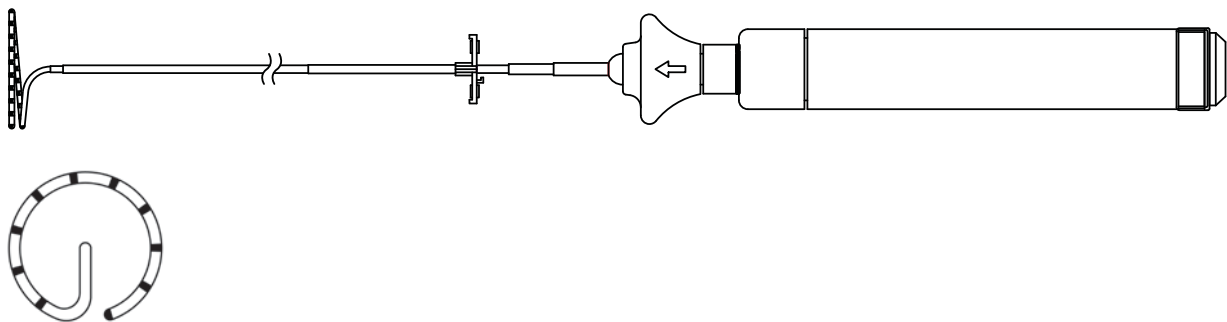
### Ordering Information

Contents: 5 F steerable AFocus II™ catheter (1 unit per box)

Reorder Number	Description	Number of Electrodes	Electrode Spacing	Loop Diameter (mm)	Usable Length (cm)
81673	1110-5-5-SM-AF20	10	5	20	110
81680	1110-5-3.5-SM-AF15	10	3.5	15	110

### Required Catheter Connecting Cable – Page 125

Reorder Number	Model Number	Description	Length (m)
85954	1910-SA	10-Pin diagnostic Connecting Cable	1.5
85955	1914-SA	14-Pin Diagnostic Connecting Cable	1.5
85930	1910-S	10-Pin diagnostic Connecting Cable	1.5
85942	1910-S	10-Pin diagnostic Connecting Cable	2.5



# Inquiry™ Electrophysiology Catheters

## Inquiry™ AFocus II™ Catheter

### 7 F

### Product Highlights

- Steerable shaft with 5 F fixed loop
- Multi-directional mapping for electrode positioning in various anatomical structures
- Push/pull handle for steering control
- 1 mm band electrodes

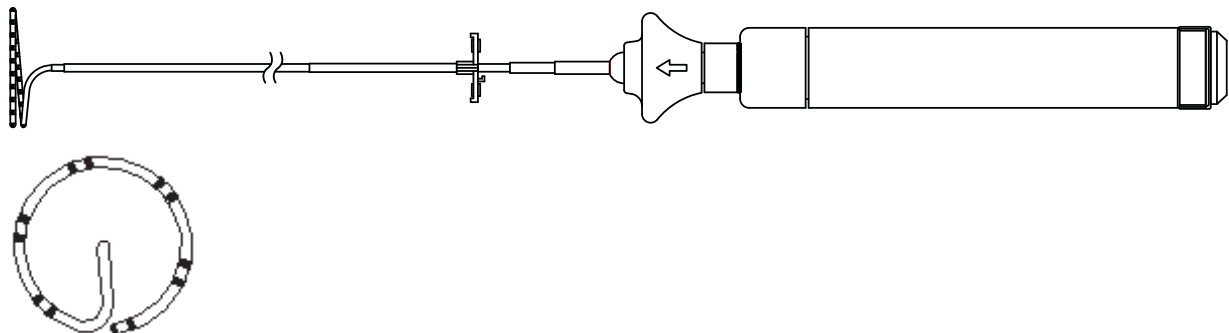
### Ordering Information

Contents: 7 F steerable AFocus II™ catheter (1 unit per box)

Reorder Number	Description	Number of Electrodes	Electrode Spacing (mm)	Loop Diameter (mm)	Usable Length (cm)
81587	1120-7-1(2.5)-SM-AF20	20	1-2.5-1	20	110
81594	1110-7-3.5-SM-AF15	10	3.5	15	110
81595	1110-7-5-SM-AF20	10	5	20	110
81596	1110-7-27-SM-AF20	10	2-7-2	20	110
81599	1110-7-8-SM-AF25	10	8	25	110

### Required Catheter Connecting Cables – Page 125

Reorder Number	Model Number	Description	Length (m)
85954	1910-SA	10-Pin Diagnostic Connecting Cable	1.5
85955	1914-SA	14-Pin Diagnostic Connecting Cable	1.5
85931	1924-S	24-Pin Diagnostic Connecting Cable	1.5
85930	1910-S	10-Pin Diagnostic Connecting Cable	1.5
85942	1910-S	10-Pin diagnostic Connecting Cable	2.5



Information contained herein for distribution outside of the U.S. only.

Electrophysiology International Catalogue

©2013 St. Jude Medical. All Rights Reserved.



## Circular Mapping - Fixed Radius

### Inquiry™ Electrophysiology Catheters Inquiry™ AFocus II™ EB Catheter

7 F

#### Product Highlights

- Steerable extended braid shaft with 4 F fixed loop
- Offset shaft-to-loop axis
- 50 mm turning radius
- Uni-directional 180-degree deflection
- Push/pull handle
- 1 mm band electrodes
- 2 mm tip electrode

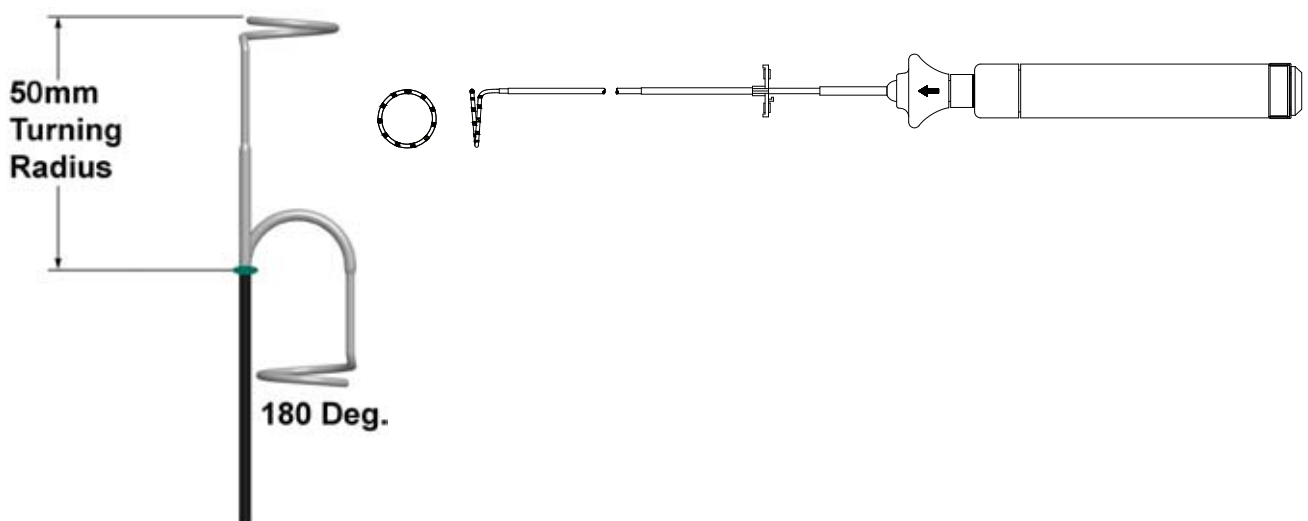
#### Ordering Information

Contents: 7 F steerable AFocus II™ EB catheter (1 unit per box)

Reorder Number	Description	Number of Electrodes	Electrode Spacing (mm)	Loop Diameter (mm)	Usable Length (cm)
D087022	1110-7-5-SM-AF20EB	10	5	20	110
D087023	1110-7-3-SM-AF15EB	10	3	15	110
D087024	1110-7-1(2.5)-SM-AF20EB	20	1-2.5-1	20	110

#### Required Catheter Connecting Cables – Page 125

Reorder Number	Model Number	Description	Length (m)
85954	1910-SA	10-Pin Diagnostic Connecting Cable	1.5
85931	1924-S	24-Pin Diagnostic Connecting Cable	1.5



# Livewire™ Steerable Electrophysiology Catheter Livewire Spiral HP™ Duo-Decapolar (20 electrodes)

7 F

## Product Highlights

- Spiral curve for circumferential mapping
- Ergonomic handling
- Rotary dial designed for fine tip movements
- Bipolar electrode spacing for high-resolution mapping
- Tip straightener
- 1 mm band electrodes

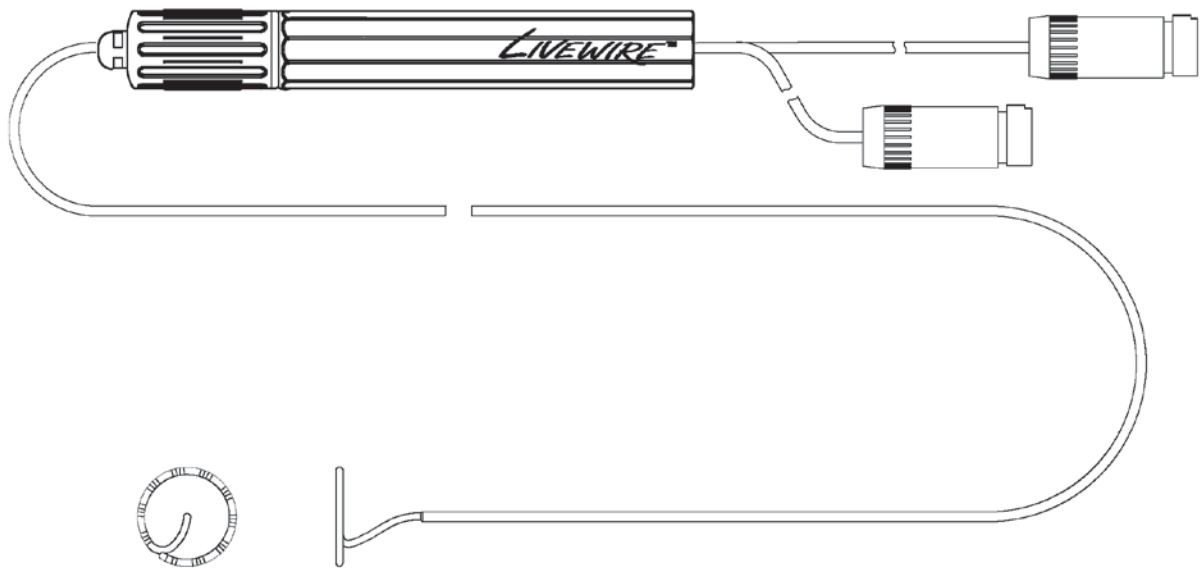
## Ordering Information

Contents: 7 F Duo-Decapolar Spiral catheter (1 unit per box)  
Note: Requires two catheter extension cables

Reorder Number	French Size	Curve Diameter (mm)	Electrode Spacing (mm)	Tip Electrode (mm)	Distal Reach	Usable Length (cm)
401782	7	15	2-1.5-1-1.5	2	Medium Sweep	120
401783	7	18	2-2.5-1-2.5	2	Medium Sweep	120

## Required Catheter Connecting Cables – Page 126

Reorder Number	Color	Connects these Catheters	Length (cm)
401972	Black	Hexapolar, Octapolar and Decapolar	150
401977	Red	Hexapolar, Octapolar and Decapolar	150
401976	Black	Hexapolar, Octapolar and Decapolar	210



U.S. Patent Numbers 5,395,328 and 5,395,329

Information contained herein for distribution outside of the U.S. only.

Electrophysiology International Catalogue

©2013 St. Jude Medical. All Rights Reserved.

# Inquiry™ Electrophysiology Catheter Inquiry™ AFocusII™ (4 F Double Loop) Catheter 7 F

## Product Highlights

- Highly detailed maps in a localized region
- Suitable for geometry creation, mapping and confirmation of electrical block
- 180 degree deflection to facilitate placement

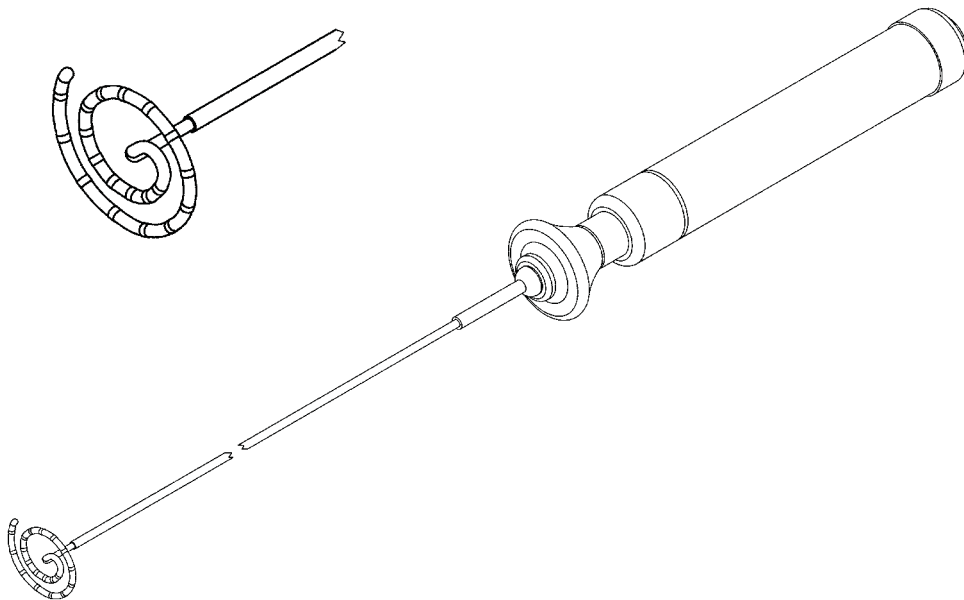
## Ordering Information

Contents: 7 F AFocusII catheter with 4F double loop (1 unit per box)

Reorder Number	Description	Number of Electrodes	Electrode Spacing (mm)	Loop Diameter (mm)	Usable Length (cm)
87008	1120-7-4-SM-AF20DL	20	4	20	110

### Required Catheter Connecting Cables – Page 125

Reorder Number	Model Number	Description	Length (m)
85931	1924-S	24-Pin Diagnostic Connecting Cable	1.5



# Reflexion™ HD High Density Catheters

## 5 F Loop Bi-directional

### 7 F

### Product Highlights

- High density collection of points in a localized region
- Suitable for geometry creation, mapping and confirmation of electrical block
- Bi-directional deflection – 180 degrees in both directions

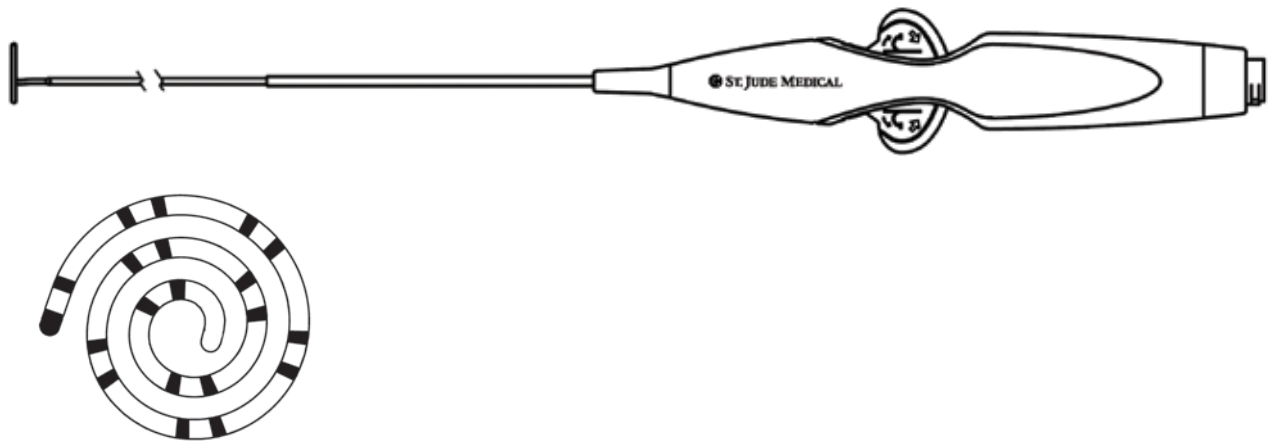
### Ordering Information

Contents: 7 F Bi-directional High Density Catheter (1 unit per box)

Reorder Number	French Size (Loop)	Number of Electrodes	Electrode Spacing (mm)	Outer Diameter (mm)	Distal Reach	Usable Length (cm)
D402864	5	20	2-7-2	25	Symmetric	99

### Required Catheter Connecting Cables – Page 125

Reorder Number	Color	Connects these Catheters	Length (cm)
401661	Black	Duo-Decapolar	150



# Inquiry™ Electrophysiology Catheters

## Inquiry™ Optima™ (4 F & 5 F Loop) Catheter

### 7 F

### Product Highlights

- Deflectable distal tip to a true 180°
- Multi-directional mapping for electrode positioning in various anatomical structures
- 10-pole (with 4 F loop) and 20-pole (with 5 F loop) models
- Braided shaft option for enhanced torqueability
- 1 mm band electrodes
- 2 mm tip electrode
- Uni-directional 180 degree deflection

### Ordering Information

Contents: 7 F Optima™ catheter (1 unit per box)

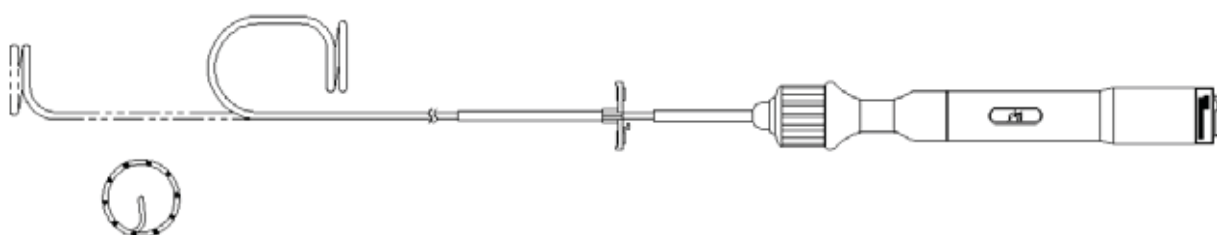
Reorder Number	Description	Number of Electrodes	Electrode Spacing (mm)	Loop Diameter (mm)	Usable Length (cm)
81659	1120-7-1(4.5)-SM-OPT25-EB*	20	1 – 4.5 – 1	15 – 25	110
81683	1120-7-1(4.5)-SM-OPT25	20	1 – 4.5 – 1	15 – 25	110
81687	1110-7-7-SM-OPT25	10	7	15 – 25	110
81767	1110-7-7-SM-OPT25EB*	10	7	15 – 25	110
81664**	1120-7-1(7)-SM-OPT30EB*	20	1-7-1	20 – 30	110

Note: \*"EB" designates catheter configuration with extended braiding to the distal shaft.

Note: \*\*Catheter configuration includes short handle with external connector.

### Required Catheter Connecting Cable – Page 125

Reorder Number	Model Number	Description	Length (m)
85954	1910-SA	10-Pin diagnostic Connecting Cable	1.5
85931	1924-S	24-Pin Diagnostic Connecting Cable	1.5
85930	1910-S	10-Pin diagnostic Connecting Cable	1.5
85942	1910-S	10-Pin diagnostic Connecting Cable	2.5





# Inquiry™ Electrophysiology Catheter

## Inquiry™ Optima™ PLUS (5F Loop) Catheter

### 7 F

### Product Highlights

- Supplemental shaft electrodes increase visibility
- Enhanced visualization when used with EnSite™ NavX™ Navigation and Visualization Technology
- 5 F loop
- Deflectable distal tip to a true 180°
- 1 mm band electrode
- Uni-directional 180 degree deflection

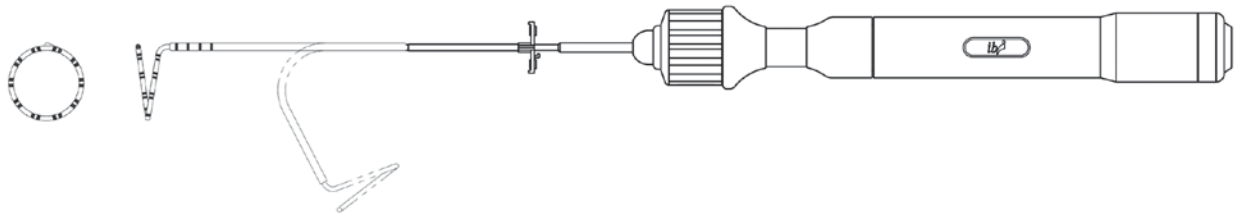
### Ordering Information

Contents: 7 F Optima™ PLUS catheter (1 unit per box)

Reorder Number	Description	Number of Electrodes	Electrode Spacing (mm)	Loop Diameter (mm)	Usable Length (cm)
81717	1124-7-1(4.5)20(3)-SM-OPT25	24	1-4.5-1	15 – 25	110

#### Required Catheter Connecting Cables – Page 125

Reorder Number	Model Number	Description
85931	1924-S	24-Pin Diagnostic Connecting Cable



# Reflexion™ Spiral Variable Radius Catheters

## 5 F & 6 F Loop Bi-directional

### 7 F

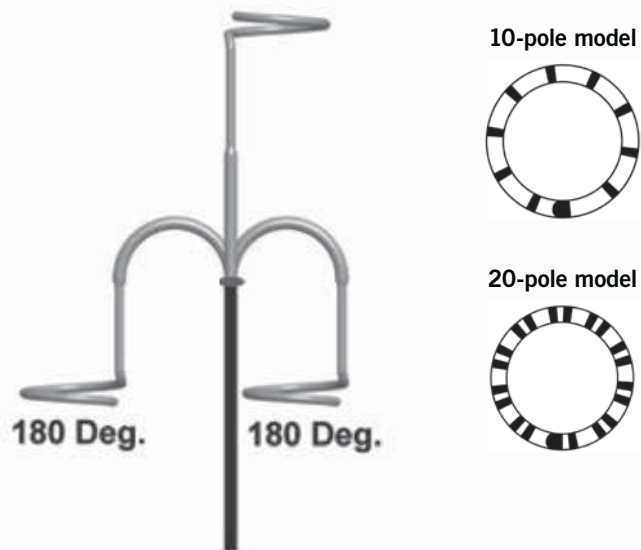
### Product Highlights

- Perpendicular plane between hoop and shaft
- Variable radius spiral curve to best fit patient anatomy
- Bi-directional shaft deflection
- 10-pole (with 5 F loop) and 20-pole (with 6 F loop) models
- Diameter adjusts from 15 mm to 25 mm
- Single handed operation with auto-lock steering to maintain position
- 1 mm band electrodes
- 2 mm tip electrode

### Ordering Information

Contents: 7 F Spiral Catheters (1 unit per box)

Reorder Number	Poles	Electrode Spacing (mm)	Distal Reach	Usable Length (cm)	Required Catheter Extension Cable
D402893	20	1-4-1	Symmetric	99	401661
D402865	10	6.3	Symmetric	99	401972, 401976, 401977



# Reflexion Spiral™ Variable Radius Catheter

## 6 F Loop Bi-Directional

### 7 F

### Product Highlights

- Variable radius spiral curve to accommodate varying patient anatomy
- Diameter adjusts from 15 mm to 25 mm
- Single-handed operation with Auto-lock steering to maintain position
- Braided shaft for maneuverability
- Intuitive to use and ergonomically designed ComfortGrip™ Handle
- 1 mm band electrodes
- 2 mm tip electrode

### Ordering Information

Contents: 7 F Duo-Decapolar Spiral catheter (1 unit per box)

Reorder Number	Poles	Electrode Spacing (mm)	Distal Reach	Usable Length (cm)	Required Catheter Extension Cable
402804	20	1-4-1	Asymmetric	99	401661, 401976, 401977



20-pole model

