

# Fast-Cath™ Hemostasis Introducer

## 12 cm Sheath

### 4 F–9 F

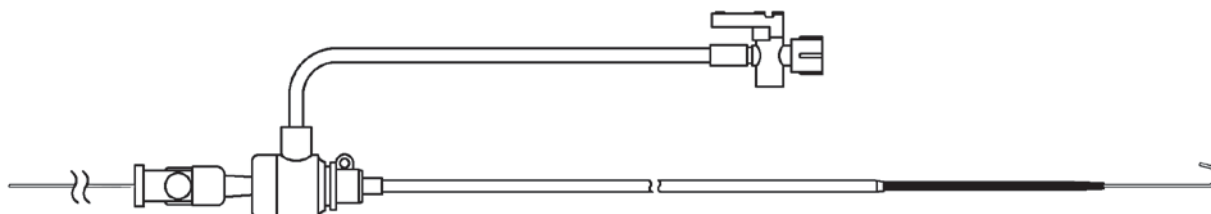
### Product Highlights

- Close tolerance extrusion and proprietary tipping process facilitate tracking on a guidewire
- Convenient suture rings to secure sheath during catheter manipulation or during prolonged vascular access
- Patented valve preserves catheter handling characteristics while minimizing backbleeding and air inspiration
- Snap lock feature secures dilator in sheath during insertion

### Ordering Information

Contents: Introducer Sheath with Hemostasis Valve and Sideport, Dilator, and 150 cm Double Distal Guidewire with “J” and straight ends (10 units per box)

Reorder Number	French Size	Maximum Guidewire Diameter (in)	Sheath Usable Length (cm)
<b>Standard .038 Guidewire</b>			
406100	5	.038	12
406151	5.5	.038	12
406104	6	.038	12
406153	6.5	.038	12
406108	7	.038	12
406119	7.5	.038	12
406112	8	.038	12
406123	8.5	.038	12
406116	9	.038	12
<b>Small Guidewire Introducers</b>			
406115	4	.025	12
406397	4.5	.025	12
406101	5	.032	12
406105	6	.032	12
406109	7	.032	12



Information contained herein for distribution outside of the U.S. only.

Electrophysiology International Catalogue

©2013 St. Jude Medical. All Rights Reserved.

# Fast-Cath™ Hemostasis Introducer Cath-Lock™ Locking Hub 12 cm Sheath 4 F-9 F

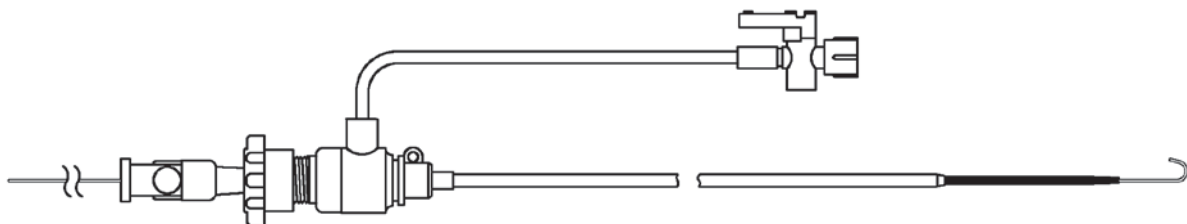
## Product Highlights

- Close tolerance extrusion and proprietary tipping process facilitate tracking on a guidewire
- Convenient suture rings to secure sheath during catheter manipulation or during prolonged vascular access
- Patented valve preserves catheter handling characteristics while minimizing backbleeding and air inspiration
- Cath-Lock™ locking hub secures indwelling catheters in position
- Snap lock feature secures dilator in sheath during insertion

## Ordering Information

Contents: Cath-Lock™ Introducer Sheath with Hemostasis Valve and Sideport, Dilator, and 50 cm Double Distal Guidewire with “J” and straight ends (10 units per box)

Reorder Number	French Size	Maximum Guidewire Diameter (in)	Sheath Usable Length (cm)
406709	4	.035	12
406700	5	.038	12
406703	5.5	.038	12
406701	6	.038	12
406704	6.5	.038	12
406702	7	.038	12
406705	7.5	.038	12
406706	8	.038	12
406707	8.5	.038	12
406708	9	.038	12



# Fast-Cath™ Duo Hemostasis Introducer

## Cath-Lock™ Locking Hub

### 12 cm Sheath

#### 8 F–12 F

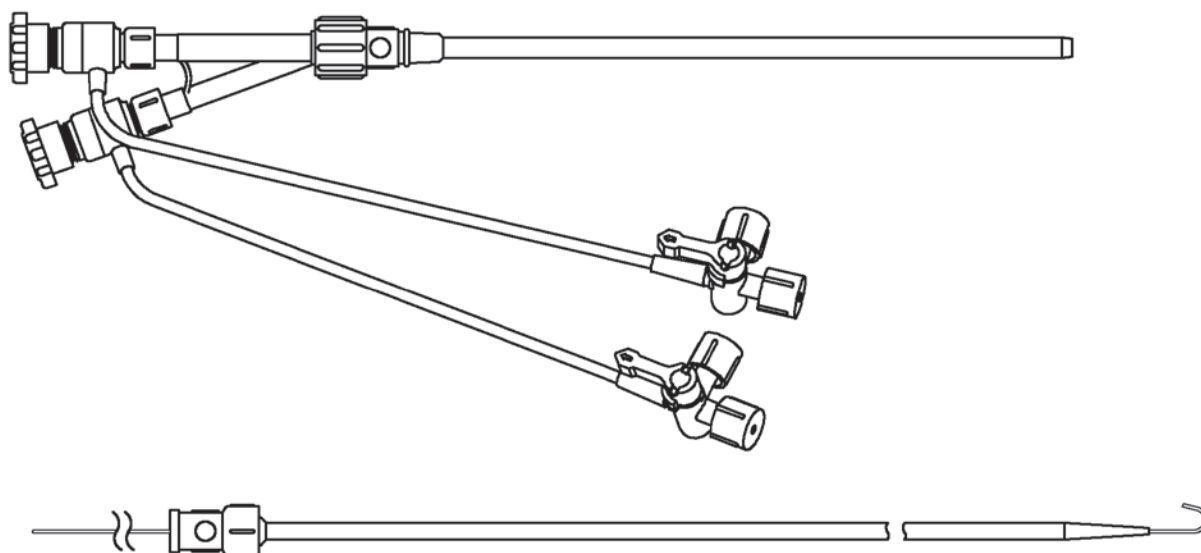
### Product Highlights

- All of the advantages of Fast-Cath™ hemostasis introducer technology
- Two catheter access reduces the need for multiple punctures
- Multiple sideports to flush and aspirate prior to catheter insertion
- Color coded Cath-Lock™ caps simplify catheter site identification
- Luer lock feature secures dilator in sheath during insertion
- Cath-Lock™ locking hub secures indwelling catheters in position

### Ordering Information

Contents: 2 Port Hemostasis Adapter with Sideports and Cath-Lock™ sealing mechanism, Venous Sheath, Dilator and 50 cm Double Distal guidewire with “J” and straight ends (5 units per box)

Reorder Number	French Size	Maximum Guidewire Diameter (in)	Sheath Usable Length (cm)	Maximum Catheter Capacity
406331	8	.038	12	(2) 4 F
406307	10	.038	12	(2) 5 F
406301	12	.038	12	(2) 6 F



# Fast-Cath™ Duo Hemostasis Introducer Cath-Lock™ Locking Hub 23 cm Sheath

9 F

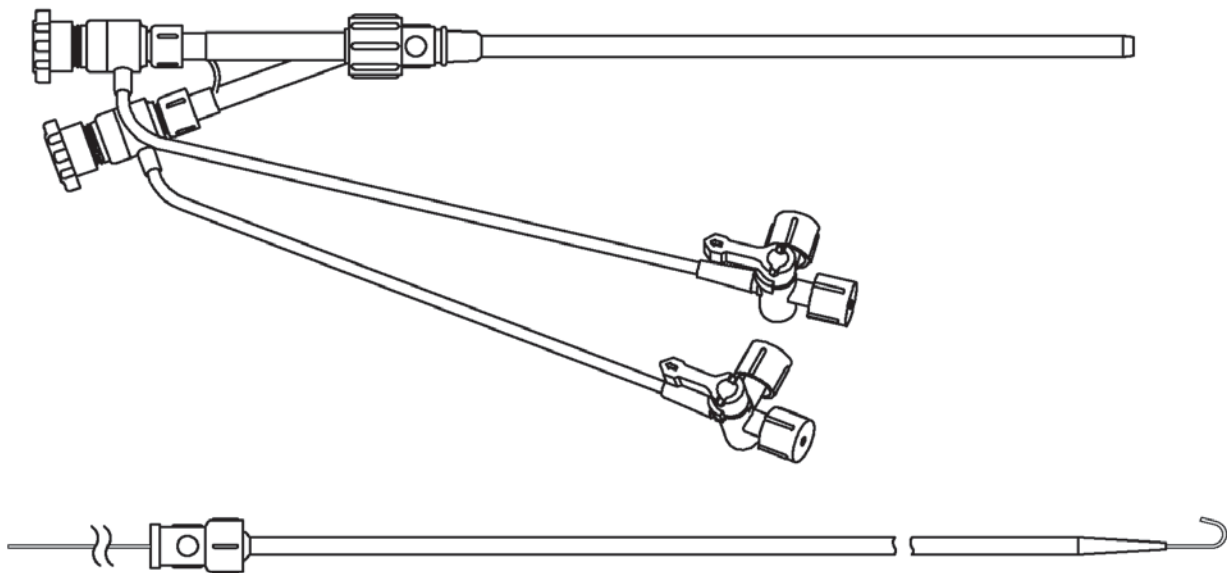
## Product Highlights

- All of the advantages of Fast-Cath™ hemostasis introducer technology
- Two catheter access reduces the need for multiple punctures
- Multiple sideports to flush and aspirate prior to catheter insertion
- Color coded Cath-Lock™ caps simplify catheter site identification
- Luer lock feature secures dilator in sheath during insertion
- Cath-Lock™ locking hub secures indwelling catheters in position

## Ordering Information

Contents: 2 Port Hemostasis Adapter with Sideports and Cath-Lock™ sealing mechanism, Venous Sheath, Dilator and 80 cm Double Distal Guidewire with “J” and straight ends (5 units per box)

Reorder Number	French Size	Maximum Guidewire Diameter (in)	Sheath Usable Length (cm)	Maximum Catheter Capacity
406333	9	.038	23	(1) 4 F & (1) 5 F



# Fast-Cath™ Trio Hemostasis Introducer

## Cath-Lock™ Locking Hub

### 12 cm Sheath

#### 10 F – 14 F

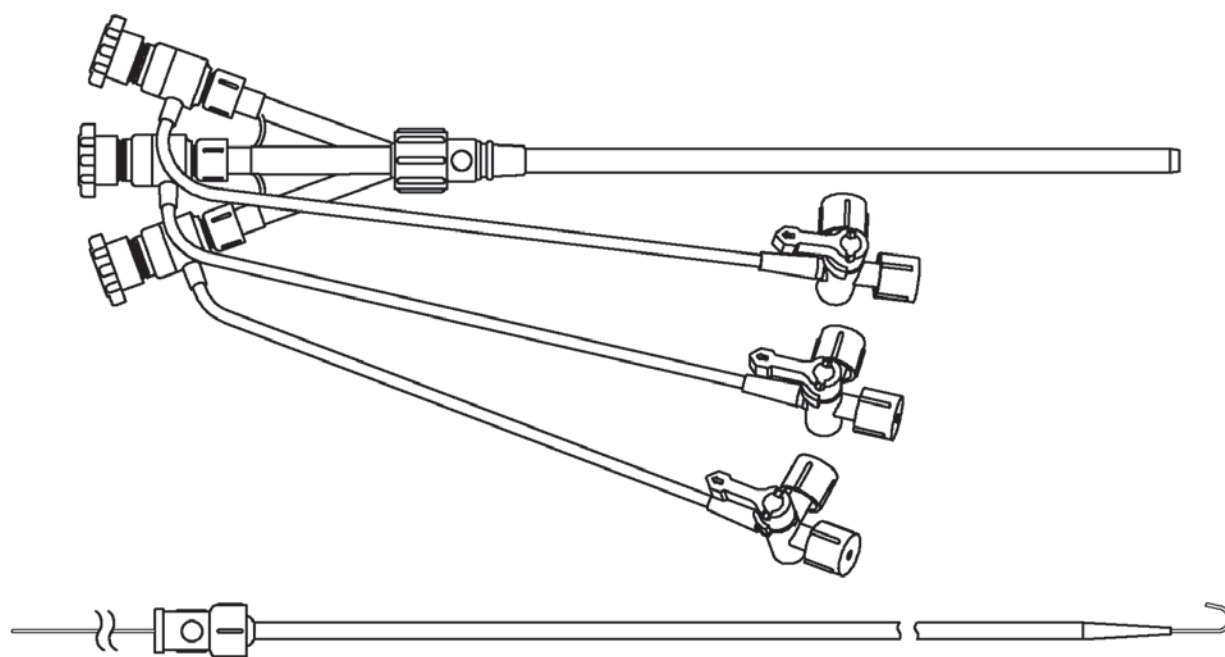
### Product Highlights

- All of the advantages of Fast-Cath™ hemostasis introducer technology
- Three catheter access reduces the need for multiple punctures
- Multiple sideports to flush and aspirate prior to catheter insertion
- Color coded Cath-Lock™ caps simplify catheter site identification
- Luer lock feature secures dilator in sheath during insertion
- Cath-Lock™ locking hub secures indwelling catheters in position

### Ordering Information

Contents: 3 Port Hemostasis Adapter with Sideports and Cath-Lock™ sealing mechanism, Venous Sheath, Dilator and 50 cm Double Distal Guidewire with “J” and straight ends (5 units per box)

Reorder Number	French Size	Maximum Guidewire Diameter (in)	Sheath Usable Length (cm)	Maximum Catheter Capacity
406308	10	.038	12	(2) 4 F & (1) 5 F
406306	12	.038	12	(2) 5 F & (1) 7 F
406303	14	.038	12	(2) 6 F & (1) 7 F



Fast-Cath™ Trio Hemostasis Introducer  
 Cath-Lock™ Locking Hub  
 23 cm Sheath  
 10 F

Product Highlights

- All of the advantages of Fast-Cath™ hemostasis introducer technology
- Three catheter access reduces the need for multiple punctures
- Multiple sideports to flush and aspirate prior to catheter insertion
- Color coded Cath-Lock™ caps simplify catheter site identification
- Luer lock feature secures dilator in sheath during insertion
- Cath-Lock™ locking hub secures indwelling catheters in position

Ordering Information

Contents: 3 Port Hemostasis Adapter with Sideports and Cath-Lock™ sealing mechanism, Venous Sheath, Dilator and 80 cm Double Distal Guidewire with “J” and straight ends (5 units per box)

Reorder Number	French Size	Maximum Guidewire Diameter (in)	Sheath Usable Length (cm)	Maximum Catheter Capacity
406335	10	.038	23	(2) 4 F & (1) 5 F

