

EnligHTN™

Multi-Electrode Renal Denervation System Ablation Catheter

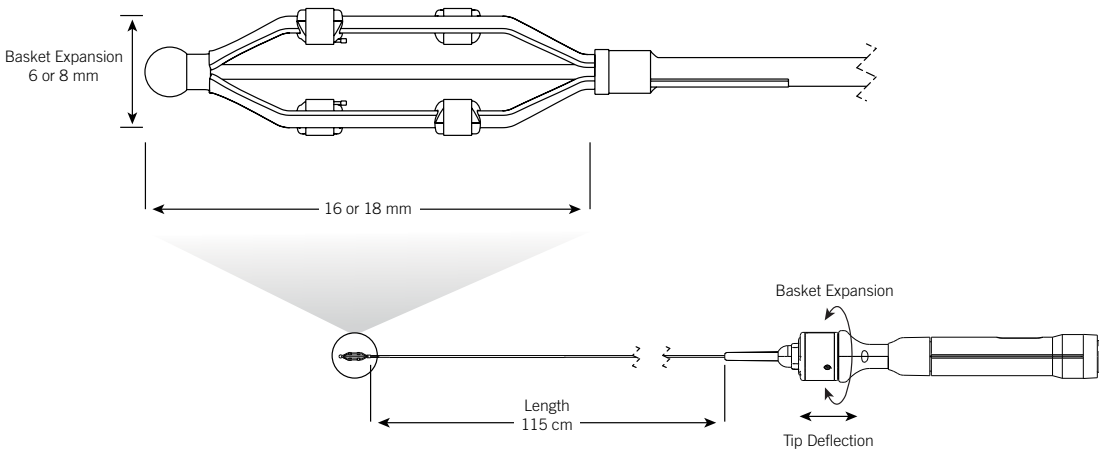


INDICATIONS FOR USE

The EnligHTN renal artery ablation catheter is indicated for use in renal denervation procedures for the treatment of hypertension.

PRODUCT BENEFITS

- Multi-electrode renal artery ablation catheter that is a component of the EnligHTN renal denervation system
- Allows up to four sequential renal artery ablations with the ability to deactivate electrodes if desired
- Four electrodes; expandable basket provides a consistent, ablation pattern
- 90-second ablation time per electrode
- 8 F guide catheter compatible
- RF ablation powered by the EnligHTN generator



TECHNICAL SPECIFICATIONS

CHARACTERISTICS	SPECIFICATION
Catheter Length (cm)	115 cm
Guiding Catheter Compatibility	8 F (ID 2.2 mm)
Electrode Basket Length (mm)	Small: 16 mm Large: 18 mm
Electrode Basket Expansion	Small: 6 mm Large: 8 mm
Recommended Basket Sizing for associated internal vessel diameter	Small: 4 - 6 mm Large: 5.5 - 8 mm
Catheter Material (outer body shaft)	Pebax
Electrode Material	90% Platinum / 10% Iridium
Electrode Configuration	Nitinol basket with 4 spines; 4 electrodes
Tip Deflection	For catheter positioning
Electrode Size	1 mm width 1.5 mm arc length 0.045" maximum height
Temperature Sensors	Each electrode is independently monitored via its own thermocouple, mounted in each electrode, just behind electrode surface area in contact with tissue
Generator Compatibility	EnligHTN RF ablation generator

Ordering Information

EnligHTN Renal Denervation System

Reorder Number	Product Name
ENL-LG-01	EnligHTN Renal Artery Ablation Catheter - large
ENL-SM-01	EnligHTN Renal Artery Ablation Catheter - small
ENL-T115	EnligHTN RF Ablation Generator
ENL-8F55	EnligHTN Guiding Catheter
ENL-CC-01	EnligHTN 1641 Connector Cable
PREP-01	Patient Return Electrode
ENL-PC-01	EnligHTN Power Cable - replacement

ATRIAL FIBRILLATION CARDIAC RHYTHM MANAGEMENT CARDIOVASCULAR NEUROMODULATION

Global Headquarters

One St. Jude Medical Drive
St. Paul, Minnesota 55117
USA
+1 651 756 2000
+1 651 756 3301 Fax

Cardiovascular Division

177 East County Road B
St. Paul, Minnesota 55117
USA
+1 651 756 4470
+1 651 756 4466 Fax

SJM Coordination Center BVBA

The Corporate Village
Da Vincilaan 11 Box F1
1935 Zaventem, Belgium
+32 2 774 68 11
+32 2 772 83 84 Fax

St. Jude Medical (Hong Kong) Ltd.

Suite 1608, 16/F Exchange Tower
33 Wang Chiu Road
Kowloon Bay, Kowloon
Hong Kong SAR
+852 2996 7688
+852 2956 0622 Fax

St. Jude Medical Brasil Ltda.

Rua Itapeva, 538
5º ao 8º andar
01332-000 – São Paulo – SP
Brazil
+55 11 5080 5400
+55 11 5080 5423 Fax

St. Jude Medical Japan Co., Ltd.

Shiodome City Center 15F
1-5-2, Higashi-Shinbashi
Minato-ku
Tokyo 105-7115
Japan
+81 3 6255 6370
+81 3 6255 6371 Fax

SJMenigHTN.com
SJMprofessional.com



ST. JUDE MEDICAL™
MORE CONTROL. LESS RISK.

Product referenced is approved for CE Mark.

EnligHTN, ST. JUDE MEDICAL, the nine-squares symbol and MORE CONTROL. LESS RISK. are registered and unregistered trademarks and service marks of St. Jude Medical, Inc. and its related companies.

©2012 St. Jude Medical, Inc. All rights reserved.

Item GMVASC405EN IPN 2145-12

