

Fast-Cath™ Guiding Introducers

RAMP™ Series

60 cm Sheath

8 F–8.5 F

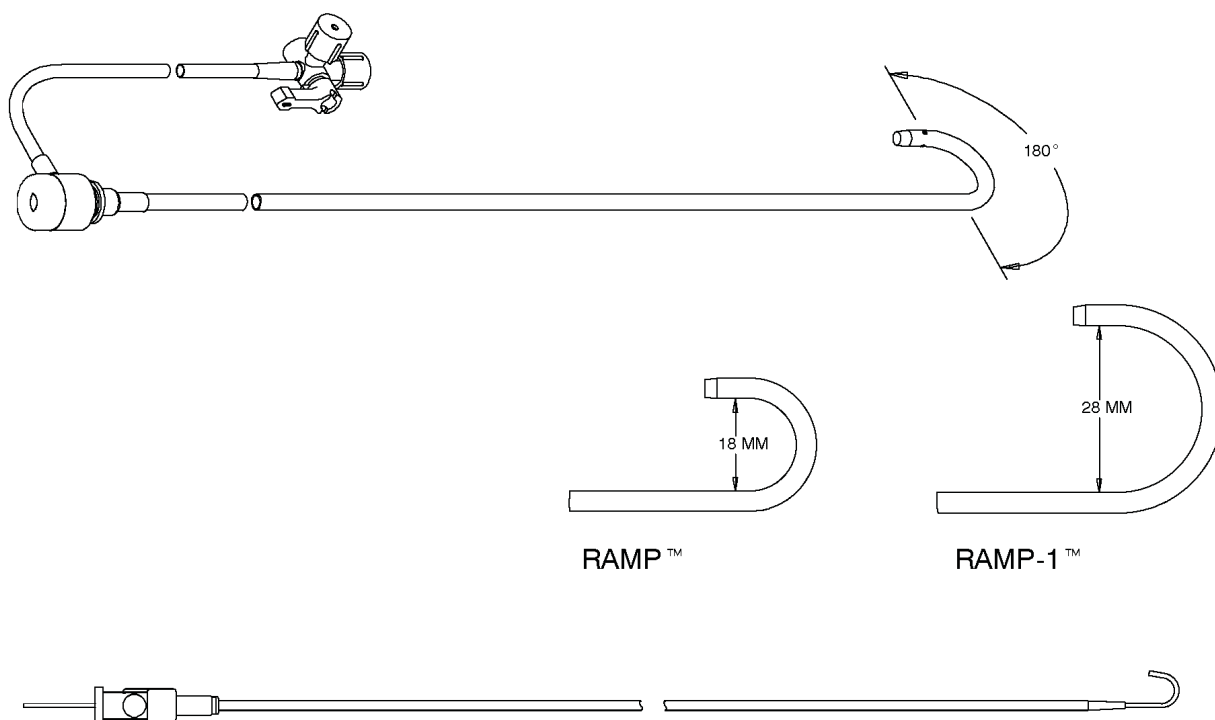
Product Highlights

- All of the advantages of Fast-Cath™ hemostasis introducer technology
- Sideholes and radiopaque tip marker at the distal end of the sheath
- Larger curve diameter of RAMP-1™ model accommodates larger ablation electrodes

Ordering Information

Contents: Introducer Sheath with Hemostasis Valve and Sideport, Dilator, and 145 cm Guidewire with 3 mm "J" (1 unit per box)

Reorder Number	French Size	Maximum Guidewire Diameter (in)	Curve Type	Curve Diameter (mm)	Sheath Usable Length (cm)
406898	8	.038	RAMP™	18	60
406965	8.5	.038	RAMP™	18	60
406943	8	.038	RAMP-1™	28	60
406975	8.5	.038	RAMP-1™	28	60



Information contained herein for distribution outside of the U.S. only.

Electrophysiology International Catalogue

©2013 St. Jude Medical. All Rights Reserved.

Fast-Cath™ Guiding Introducers
 SAFL™ Series
 60 cm Sheath
8 F–8.5 F

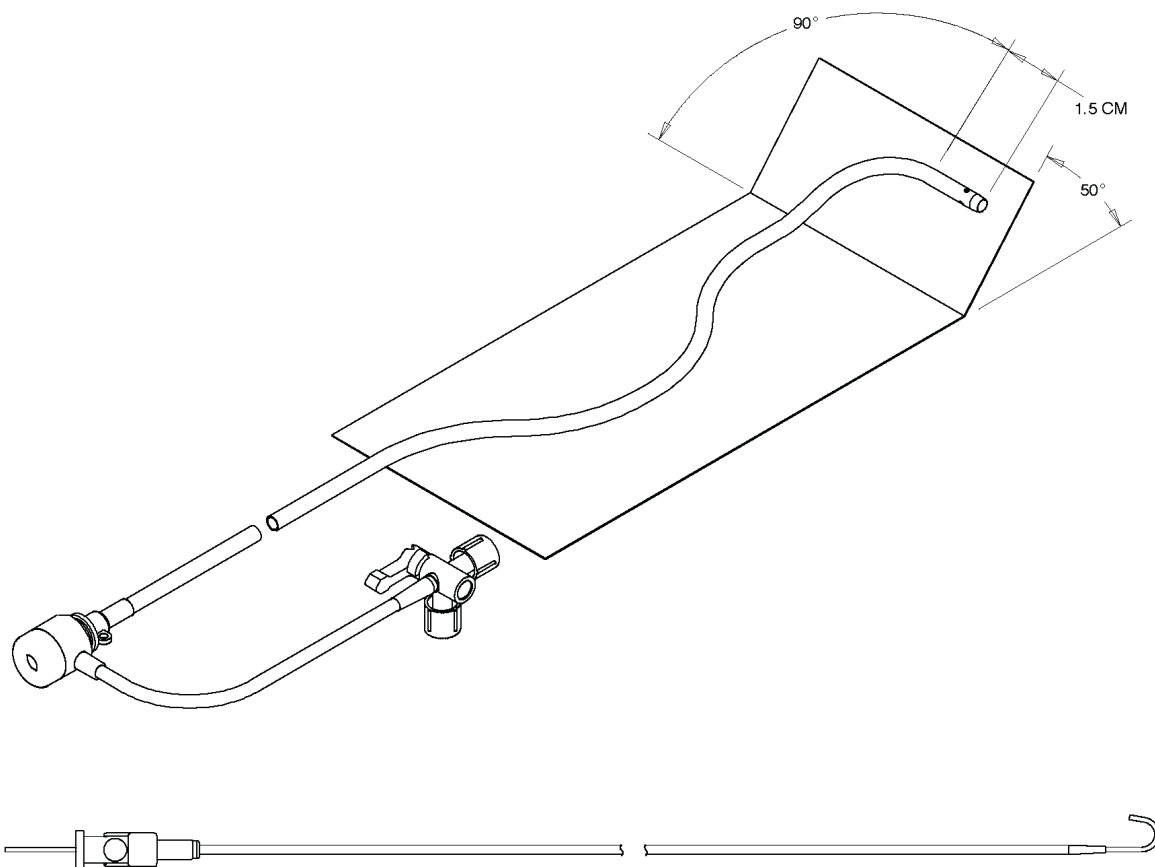
Product Highlights

- All of the advantages of Fast-Cath™ hemostasis introducer technology
- Side holes and radiopaque tip marker at the distal end of the sheath

Ordering Information

Contents: Introducer Sheath with Hemostasis Valve and Sideport, Dilator and 145 cm Guidewire with 3 mm “J”. (1 unit per box)

Reorder Number	French Size	Maximum Guidewire Diameter (in)	Sheath Usable Length (cm)
406871	8	.038	60
406868	8.5	.038	60



U.S. Patent Number 5,092,857 and Patent(s) Pending

Fast-Cath™ Guiding Introducers

SEPT™ Series

60 cm Sheath

8 F–8.5 F

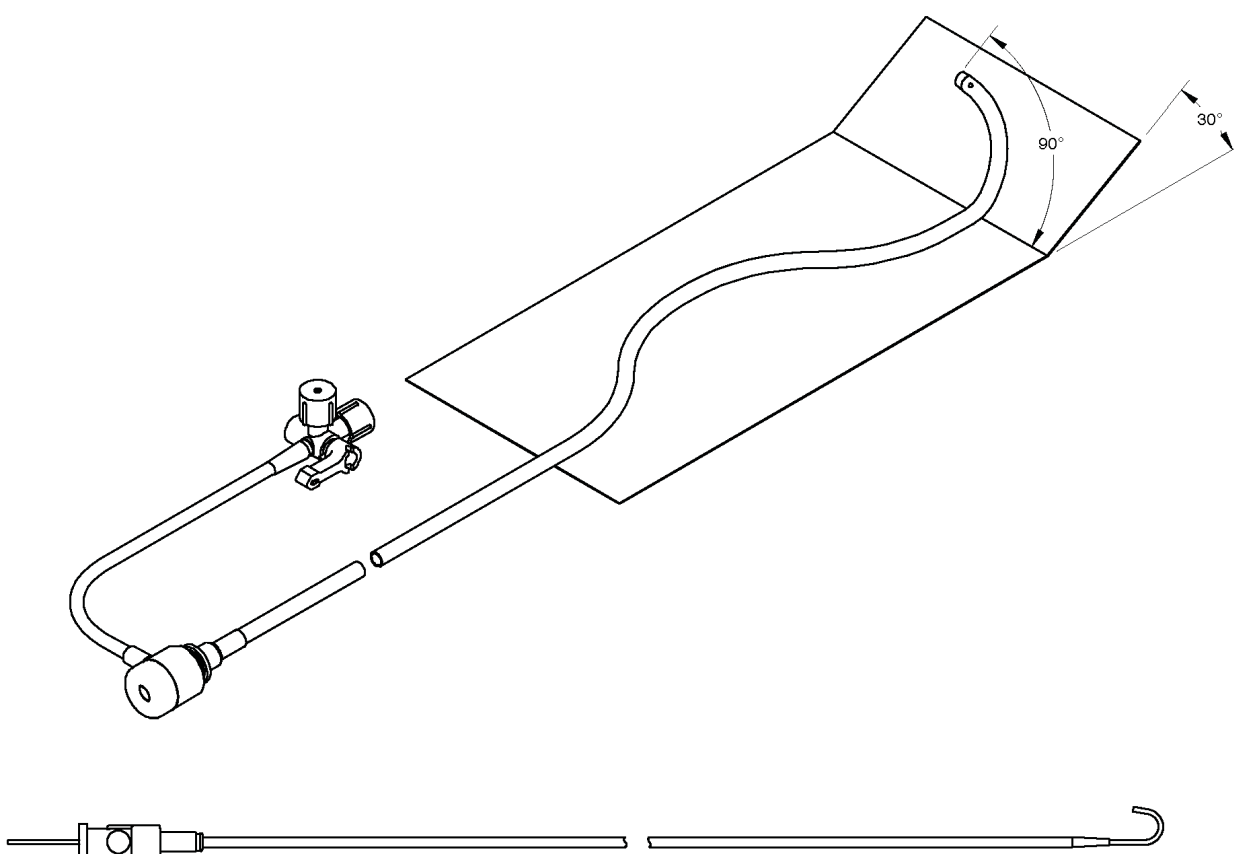
Product Highlights

- All of the advantages of Fast-Cath™ hemostasis introducer technology
- Sideholes and radiopaque tip marker at the distal end of the sheath

Ordering Information

Contents: Introducer Sheath with Hemostasis Valve and Sideport, Dilator, and 145 cm Guidewire with 3 mm “J” (1 unit per box)

Reorder Number	French Size	Maximum Guidewire Diameter (in)	Sheath Usable Length (cm)
406885	8	.038	60
406894	8.5	.038	60



U.S. Patent Number 5,092,857 and Patent(s) Pending

Information contained herein for distribution outside of the U.S. only.

Electrophysiology International Catalogue

©2013 St. Jude Medical. All Rights Reserved.

Fast-Cath™ Guiding Introducers

CSTA™ Series

60 cm Sheath

8 F–8.5 F

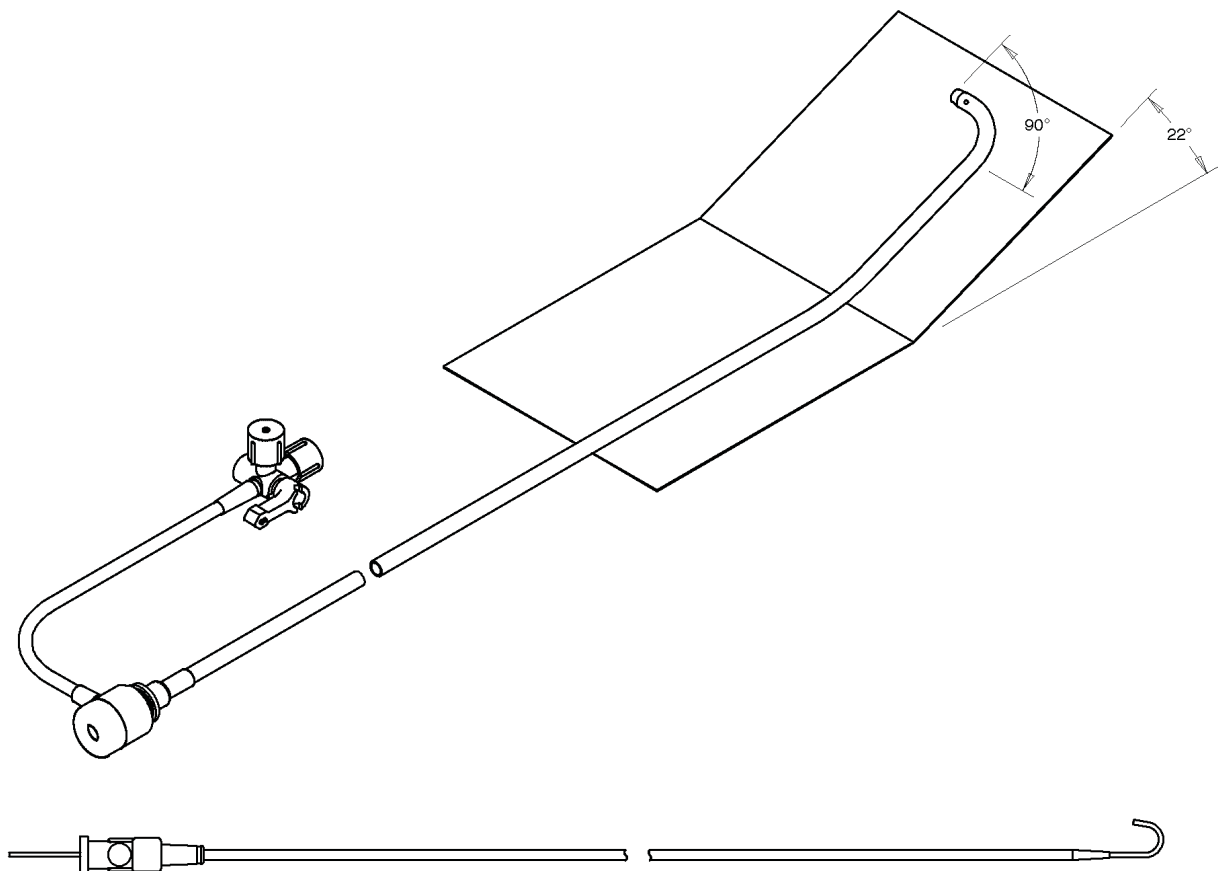
Product Highlights

- All of the advantages of Fast-Cath™ hemostasis introducer technology
- Sideholes and radiopaque tip marker at the distal end of the sheath

Ordering Information

Contents: Introducer Sheath with Hemostasis Valve and Sideport, Dilator, and 145 cm Guidewire with 3 mm “J” (1 unit per box)

Reorder Number	French Size	Maximum Guidewire Diameter (in)	Sheath Usable Length (cm)
406872	8	.038	60
406870	8.5	.038	60



Fast-Cath™ Guiding Introducer Specialty Curve Series

10 F

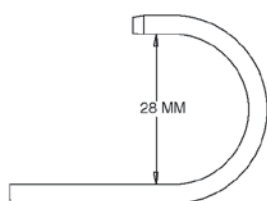
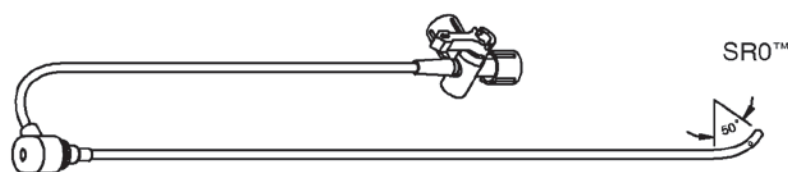
Product Highlights

- All of the advantages of Fast-Cath™ hemostasis introducer technology
- Sideholes and radiopaque tip marker at the distal end of the sheath

Ordering Information

Contents: Introducer Sheath with Hemostasis Valve and Sideport, Dilator, and Guidewire with Finger Straightenable
3 mm “J” (1 unit per box)

Reorder Number	Sheath French Size	Dilator French Size	Guidewire Length and Type	Maximum Guidewire Diameter (in)	Curve Type	Sheath Usable Length (cm)	Dilator Usable Length (cm)
406967	10	10	145 cm	.038	SR0™	63	67
406974	10	10	145 cm	.038	RAMP-1™	63	67



RAMP-1™

