

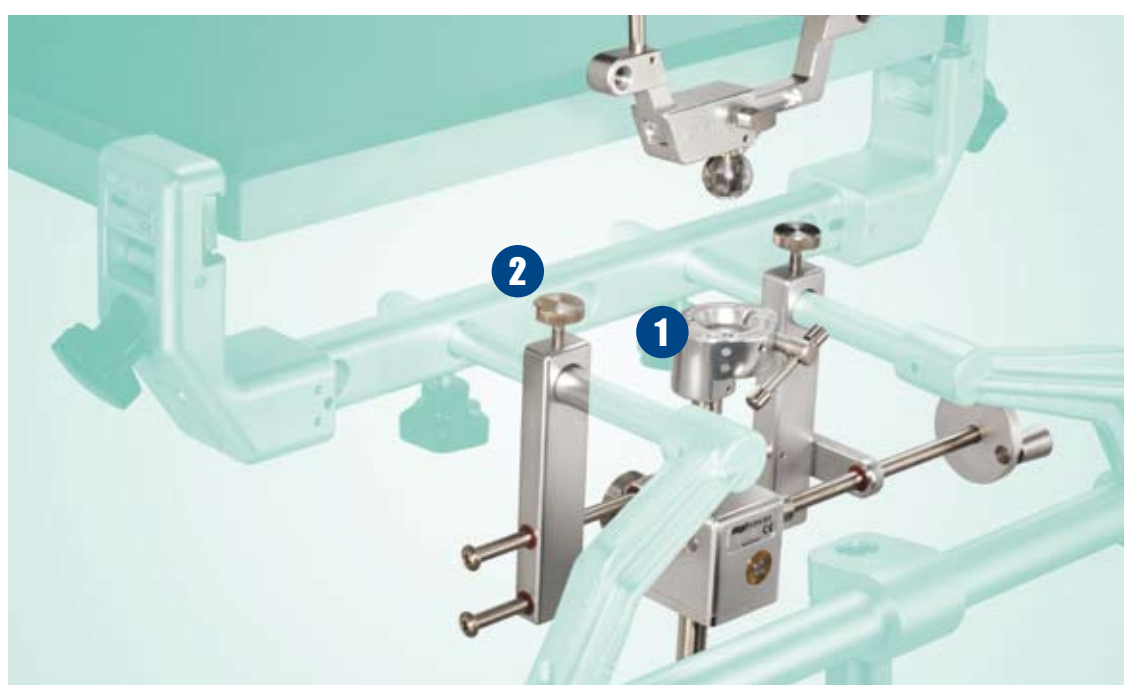
### SET-UP

The Infinity Support System attaches to any MAYFIELD® Base Unit to provide excellent head support, and greatly improves patient positioning for all patient age groups. With the patient's head supported, the Infinity Support System creates a method for simultaneous application of a Skull Clamp (ages 5+). Ease of positioning is facilitated by independent lateral, vertical, and horizontal movement of the chosen Head Support.



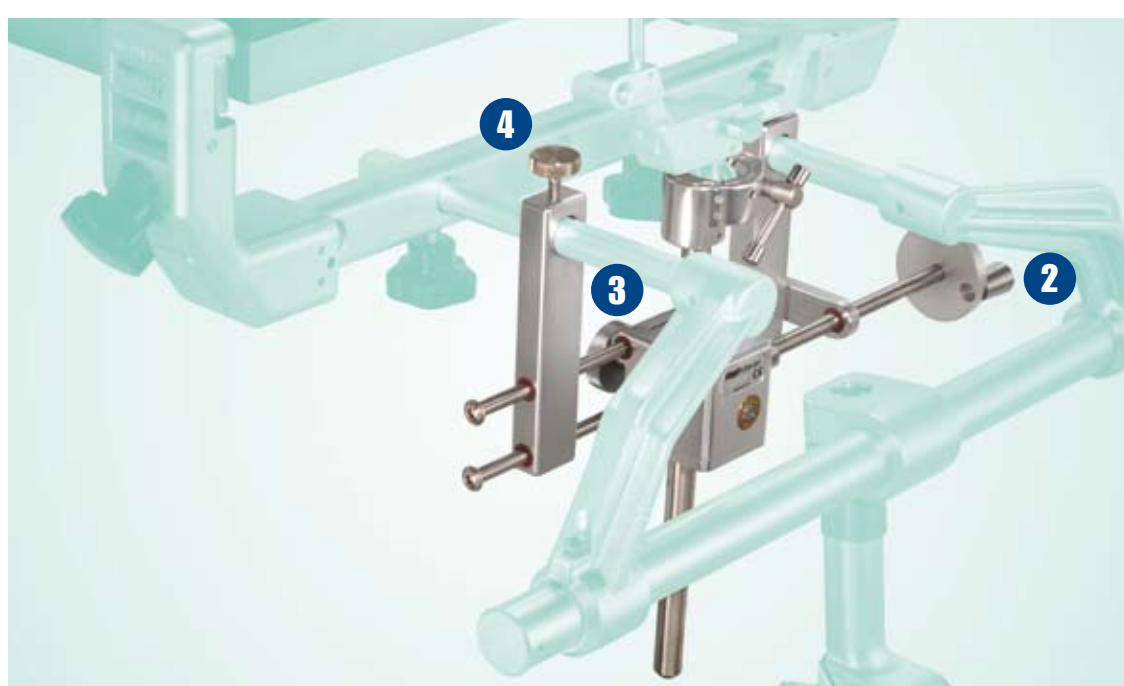
#### SLIDE COUPLER ONTO BASE UNIT

- Slide Coupler onto any MAYFIELD® Base Unit with the Lock Knob facing the OR table (1). Keep the unit loose enough to easily move for positioning freedom (2).
- Secure the Base Unit into the OR table, as usual (3).



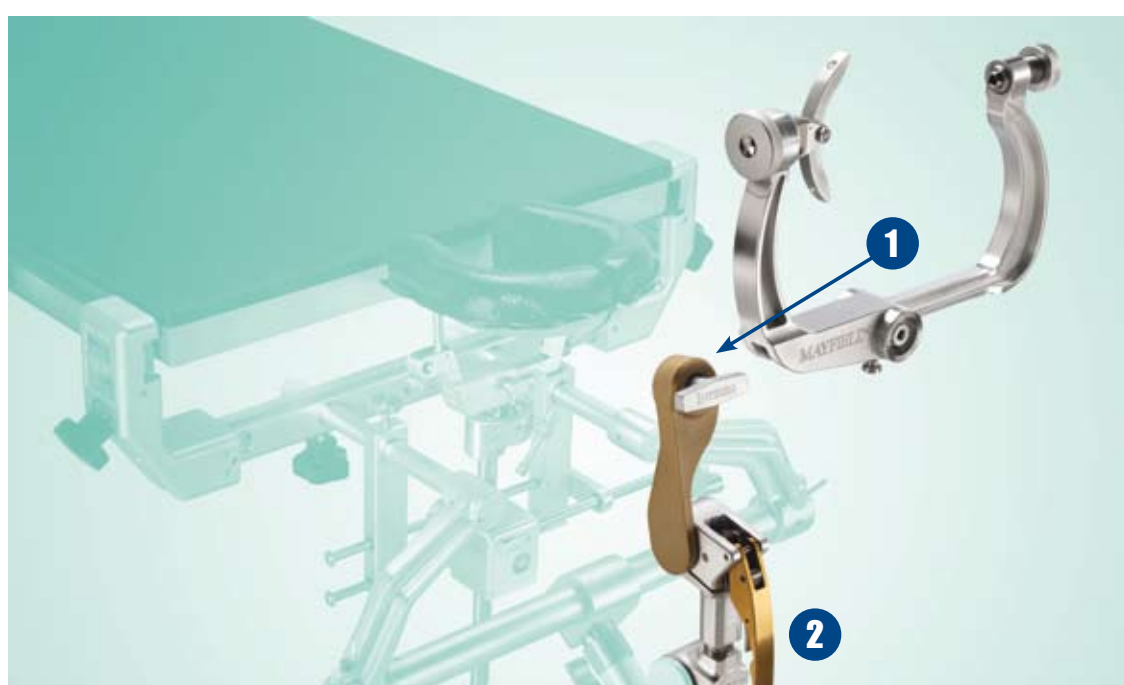
#### PLACE DESIRED HEADREST INTO COUPLER BALL JOINT

- Choose the desired Headrest (3 options) and place ball base firmly into the Coupler Ball Joint (1).
- Tighten Socket T-Knob to secure Headrest into Coupler, but allow for some movement for ease of positioning (2).



#### POSITION INFINITY SUPPORT INTO DESIRED LOCATION

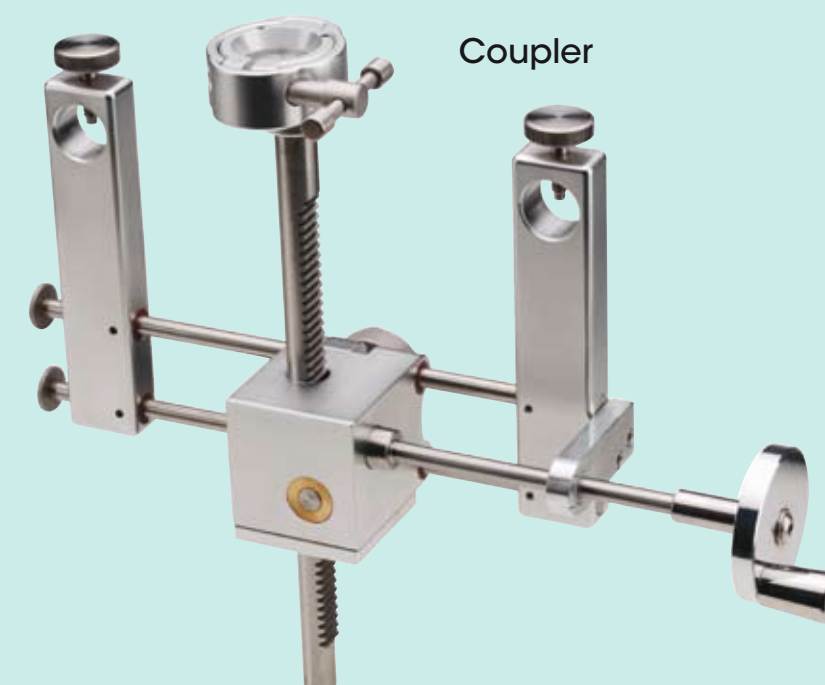
- Lateral movement can be modified by placement of the Coupler on the Base Unit (1). Position the Headrest as close as possible to the OR table for optimal support.
- For vertical adjustments, wind the Gear Housing Knob up or down (2).
- Horizontal adjustments can be made freely inside the width of the Base Unit Supports until the Lock Knob is tightened (3).
- Secure Infinity Support System in the desired location (4).



#### OPTIONAL SKULL CLAMP APPLICATION

- After the patient is resting on the Infinity Support, apply the MAYFIELD® Infinity Skull Clamp to the patient using normal practices. Connect the Skull Clamp to the Adaptor (1) and lock the Base Unit handle (2).

#### MAYFIELD® INFINITY SUPPORT SYSTEM (A1112)



Headrests



#### MAYFIELD® INFINITY SKULL CLAMP (A1114)



- Curved arms designed for use with horseshoe.
- Elongated arms for optimal placement.
- Four rocker arm attachments and two pressure knobs available in system (18-lb Torque Screw not shown).

Refer to Instruction Manual for complete instructions. Final set-up is dependent upon surgeon preference.